

PO2-160 Percent Oxygen Sensor

Product Specification Sheet

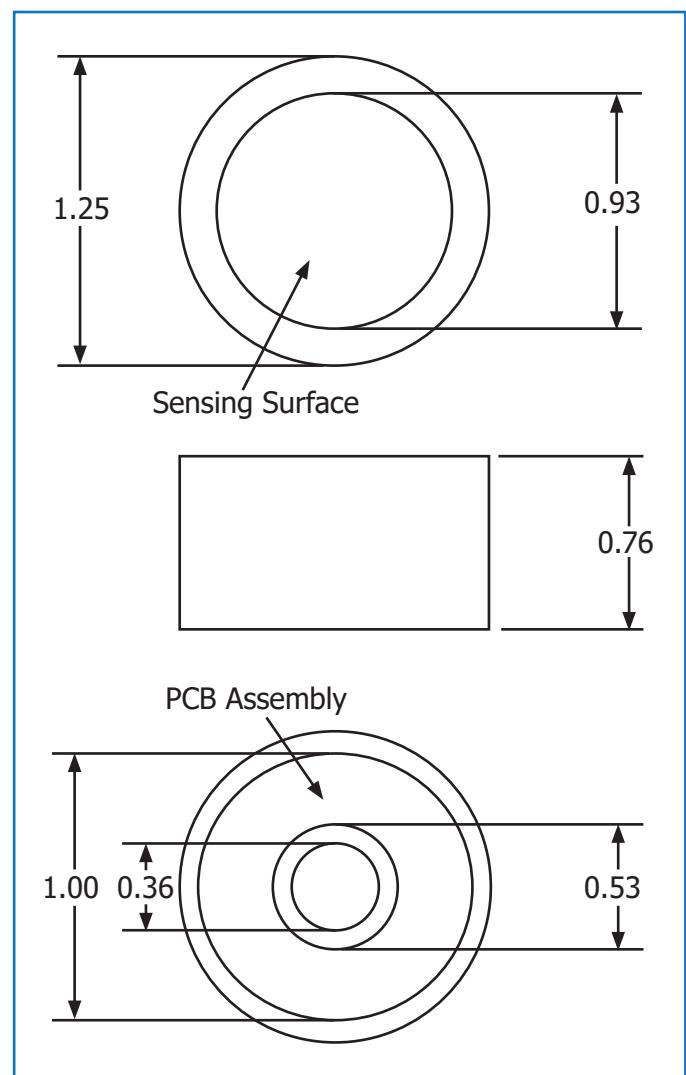
Electrochemical Galvanic Fuel Cell Percent Oxygen Sensor



- Measures Oxygen From 1000 PPM to 100%
- Electrochemical Fuel Cell Sensor Technology
- Self-Contained, No Need To Add Electrolyte
- Excellent Stability, Performance & Linearity
- Continuous And Spot Checking Analysis

Specifications:

| | |
|----------------------------------|---|
| Sensor Technology | Micro Fuel Cell |
| Signal Output ¹ | 38 - 74 uA |
| Measuring Range | 0 - 100 Percent |
| Response Time T90 | 7 Seconds |
| Accuracy Full Scale ² | ± 1% of Signal |
| Repeatability F.S. | ± 0.5% |
| Temp Coefficient | 2.54 % / ° C |
| Operating Temp | 0 to 50 ° C |
| Storage Temp | 0 to 45 ° C |
| Recommended Flow | 0.5 - 5 SCFH |
| Humidity | 0 - 100% RH (Non-Condensing) |
| Expected Life ³ | 60 Months |
| Storage | 12 Months |
| Warranty ⁴ | 12 Months |
| PCB Connection | Center Foil Negative Outer Foil Positive |



1. Signal Output is measured in air at 25 ° C, Sea Level.
2. Full Scale Accuracy is calculated with constant pressure, temperature, and proper calibration (80% O2 Value on Full Scale Range or a range higher). Drastic Temperature change can result in a maximum error of ± 10%.
3. Expected life is calculated when O2 < 20.9% @ 25 ° C, Sea Level.
4. Southland Sensing Ltd. warranties the sensors for the period noted above to be free from defects in materials and workmanship. SSO2 will not be held liable for sensors damaged due to customer neglect.
4. Southland Sensing Ltd. sensors are tested and validated to BSI Standard BS EN 50104:2010