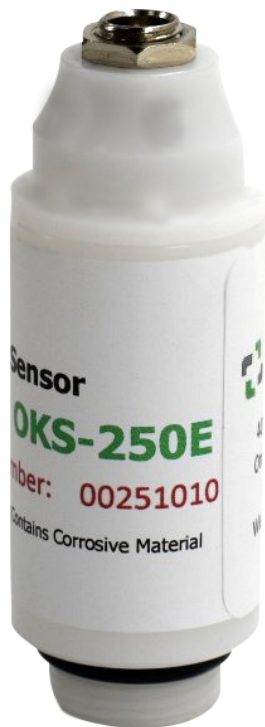


OKS-250E Electrochemical Oxygen Sensor

Product Specification Sheet

Medical Electrochemical Galvanic Fuel Cell Percent Oxygen Sensor

Measures Oxygen From 0 to 100%

Electrochemical Fuel Cell Sensor Technology

Self-Contained, No Need To Add Electrolyte

Excellent Stability, Performance, & Linearity

Competitive Drop-In Field Replacement

The OKS-250E oxygen sensor provides high levels of accuracy, reliability, and linearity throughout its measurement ranges. The oxygen sensor is based on the galvanic electrochemical fuel cell principle and is manufactured in-house under a strict quality procedure.

Backed with excellent customer service and an industry proven product design, our sensors excel in performance and quality while reducing the cost of ownership.

Varying performance advantages to the Southland Sensing sensors can be attributed to minor modifications in dimensions, connections, and packaging. However, the principle of operation and the basic components remain the same.

Along with excellent performance and exceptional quality, Southland Sensing offers rapid delivery times to a global customer base for most oxygen sensors.

Intended Use:

These oxygen sensors are designed to be used to monitor the partial pressure of oxygen in breathing gas mixtures for anaesthesia, ventilators, medical oxygen concentrators, incubators, and general oxygen monitors.

Specifications:

Sensor Technology	Electrochemical
Signal Output ¹	10 - 14 mV
Measuring Range	0 - 100 Percent
Response Time T90	13 Seconds
Accuracy Full Scale ²	± 1% of Signal
Repeatability F.S.	± 0.5%
Temperature:	Compensated
Operating Temp	0 to 45 °C
Storage Temp	0 to 45 °C
Cross Sensitivity:	ISO 80601-2-55
Housing Material:	White ABS
Humidity	0 - 100% RH (Non-Condensing)
Expected Life ³	< 60 Months
Storage	12 Months
Warranty ⁴	12 Months

Electrical & Gas Connection:

M16 x 1.0mm Thread w/ O'ring

Mini Power Socket

OKS-250E Oxygen Sensor

Product Specifications

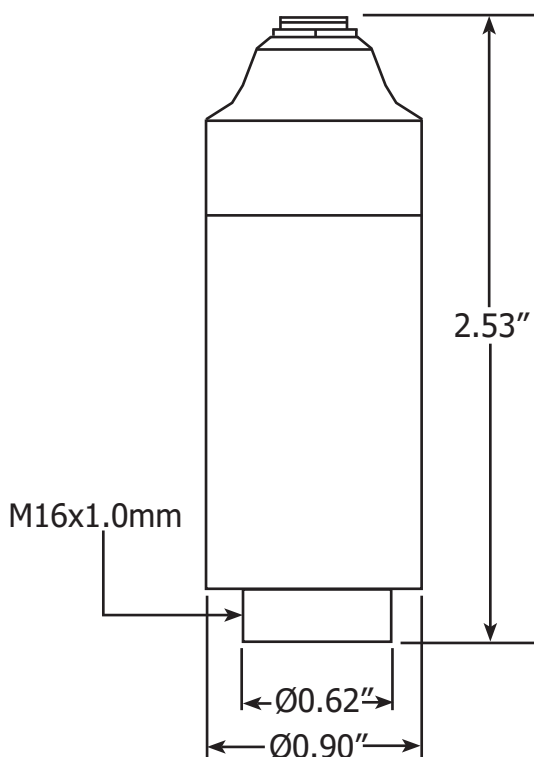
Compatibility

The OKS-250E Percent Oxygen Sensor is designed to be a drop-in replacement for a variety of OEM equipment. See the following lists for compatible medical equipment and sensors.

If you do not see a cross reference for your sensor, our experienced team of engineers and technicians would be happy to help you pick the right sensor for your application.

Need something different? Southland Sensing can design custom sensors to fit your application by modifying aspects such as packaging, signal outputs, or temperature compensation while providing the same precision and quality offered by our stock sensors.

Dimensions



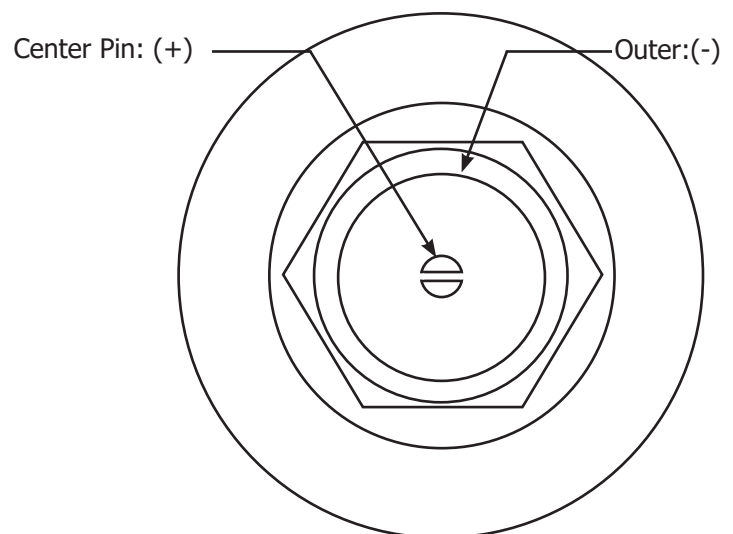
OEM Equipment Compatibility

Newport: HT-70, e360, e500
 Carefusion Sentry Blender
 Fluke VT Mobile
 Maxtec: MaxO2+AE, OM-25AE, OM-25ME, Maxblend, MaxVenturi
 Covidien: Newport E360
 Mercury Medical 10-103-08
 Pacifitech PT-25A
 Viasys 66045, Sentry Blender

Sensor Compatibility

Analytical Industries (AII): PSR-11-75-KE7
 Maxtec: MAX-250e
 Teledyne: R-29MED

Pinout Diagram



1. Signal Output is measured in air at 25 °C, Sea Level.
2. Full Scale Accuracy is calculated with constant pressure, temperature and proper calibration (80% O2 Value on Full Scale Range). Drastic Temperature change can result in a maximum error of $\pm 10\%$.
3. Expected life is calculated when O2 < 20.9% @ 25 °C, Sea Level.
4. Southland Sensing Ltd. Warrants the sensors for the period noted above to be free from defects in materials and workmanship. Oksidyne will not be held liable for sensors damaged due to customer neglect.
5. Southland Sensing Ltd. sensors are tested and validated to BSI Standard BS EN 50104:2010