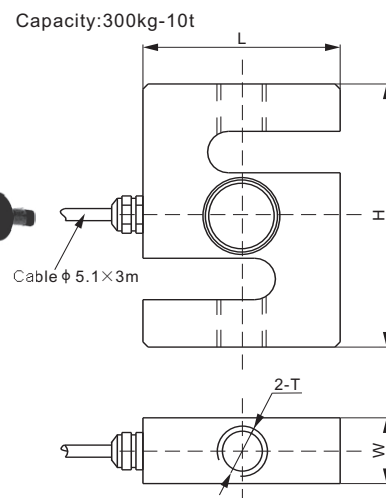
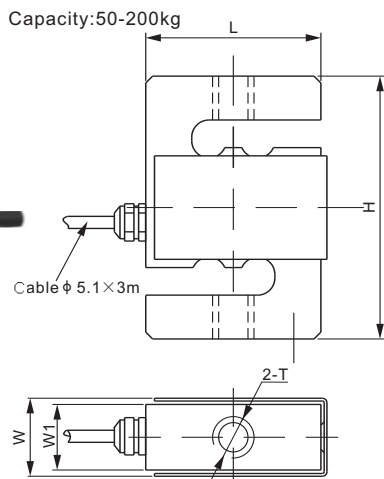
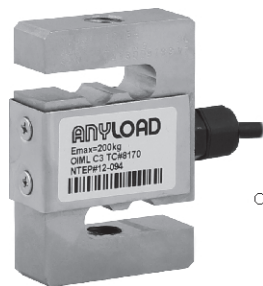


# Alloy Steel 101BH



## DIMENSIONS

| RATED CAPACITY                                    | H     | L     | W    | W1   | T        |
|---|-------|-------|------|------|----------|
| <b>kg/mm</b>                                      |       |       |      |      |          |
| 50-200  | 76.2  | 50.8  | 22.6 | 19.0 | M12X1.75 |
| 300-1,500; SE2,000                                | 76.2  | 50.8  | 28.2 | -    | M12X1.75 |
| 2,000-5,000                                       | 108.0 | 76.2  | 25.4 | -    | M18X1.50 |
| 10,000  | 177.8 | 125.0 | 50.8 | -    | M30X2.00 |
| <b>lb/inches</b> (conversion of above dimensions) |       |       |      |      |          |
| 110.23-440.92                                     | 3.00  | 2.00  | 0.89 | 0.75 | M12X1.75 |
| 661.39-3,306.9; SE4,409.2                         | 3.00  | 2.00  | 1.11 | -    | M12X1.75 |
| 4,409.2-11,023.1                                  | 4.25  | 3.00  | 1.00 | -    | M18X1.50 |
| 22,046.2  | 7.00  | 4.92  | 2.00 | -    | M30X2.00 |

## SPECIFICATIONS

|                          |                            |                                      |                               |
|--------------------------|----------------------------|--------------------------------------|-------------------------------|
| <b>Full Scale Output</b> | 2.0 mV/V ± 1%              | <b>Recommended Excitation</b>        | 10V (15V Maximum)             |
| <b>Zero Balance</b>      | ± 0.02 mV/V                | <b>Insulation Resistance</b>         | >2 [ 50V DC ] GΩ              |
| <b>Non-linearity</b>     | < ± 0.017%                 | <b>Compensated Temperature Range</b> | -10°C to 50°C / 14°F to 122°F |
| <b>Repeatability</b>     | < ± 0.017%                 | <b>Safe Overload</b>                 | 150% of full scale            |
| <b>Hysteresis Error</b>  | < ± 0.017%                 | <b>Breaking Overload</b>             | 300% of full scale            |
| <b>Creep in 30 min.</b>  | < ± 0.023%                 | <b>Seal Type / IP Rating</b>         | Environmentally Sealed / IP67 |
| <b>Input Resistance</b>  | 400Ω ± 25                  | <b>Cable Color Code</b>              | Exc+ Red    Exc- Black        |
| <b>Output Resistance</b> | 350Ω ± 3                   |                                      | Sig+ Green    Sig- White      |
| <b>Element Material</b>  | Alloy Steel, Nickel Plated |                                      | Shield Bare                   |

## PART NUMBER

| Rated Capacity | Part No.          | Shipping Weight (kg) Approx. |
|----------------|-------------------|------------------------------|
| 50kg .....     | 101BH-50kg .....  | 0.6                          |
| 100kg .....    | 101BH-100kg ..... | 0.6                          |
| 200kg .....    | 101BH-200kg ..... | 0.6                          |
| 300kg .....    | 101BH-300kg ..... | 0.8                          |
| 500kg .....    | 101BH-500kg ..... | 0.8                          |
| 1t .....       | 101BH-1t .....    | 0.8                          |
| SE2t .....     | 101BH-SE2t .....  | 0.8                          |
| 2t .....       | 101BH-2t .....    | 1.5                          |
| 3t .....       | 101BH-3t .....    | 1.5                          |
| 5t .....       | 101BH-5t .....    | 1.5                          |
| 10t .....      | 101BH-10t .....   | 7.4                          |

## WEIGH MODULE

| Model         | Page |
|---------------|------|
| 101BHM2 ..... | 125  |

## INTERCHANGEABLE PRODUCTS

| Manufacturer                 | Model |
|------------------------------|-------|
| Vishay TedeA-Huntleigh ..... | 615   |

- 100lb-500lb: NTEP 1:4 500 Class III, Single Cell;
- 1Klb-20Klb: NTEP 1:5 500 Class III, Single Cell
- 200kg-1.5t: OIML MAA C3, Y=17 000;
- 2t-10t: OIML MAA C4.5, Y=14 000

SE refers to small envelope