

PRODUCT DATASHEET

HERO Application (HS/HE)



Application Products

- FOT-HERO Sensor
- FPI-HS/HE module
- EVOLUTION chassis

Key Features

- Absolute measurement
- Sensor signal diagnostic
- Compatible with FOT-HERO
- Sustain multiple connections, strong bending and vibration of the fibers and extensions
- Sensor maintains calibration with any extension length
- Temperature-compensated modules

Specifications

	FOT-HERO
Temperature measuring range	0°C to 120°C
Minimum current detected on MK1 squib	<5 mA
Resolution ^{1,2}	<1 mA
Response time of bare sensor ^{3,4}	<1 millisecond
Sampling rate	Up to 15 kHz per module ⁵
Power consumption	5 Watts
Analog output	0 to 5V (16 bits resolution)
Operating temperature	10°C to 50°C
Storage temperature	-30°C to 80°C
Connector	ST
Fiber core size	100/125µm
Number of channel	1
Communication / Evolution chassis	USB
Communication/OEM	RS-232 / RS-485
LED sensor signal and communication diagnostic	Yes

1. Corresponding accuracy in milliamps is relative to the EED under test and has to be determined by an experimental test.

2. Based on MK1 squib, performance is related to system averaging.

3. Based on MK1 squib, 60 milliseconds, defined as the ratio of energy and power which produces the same peak output.

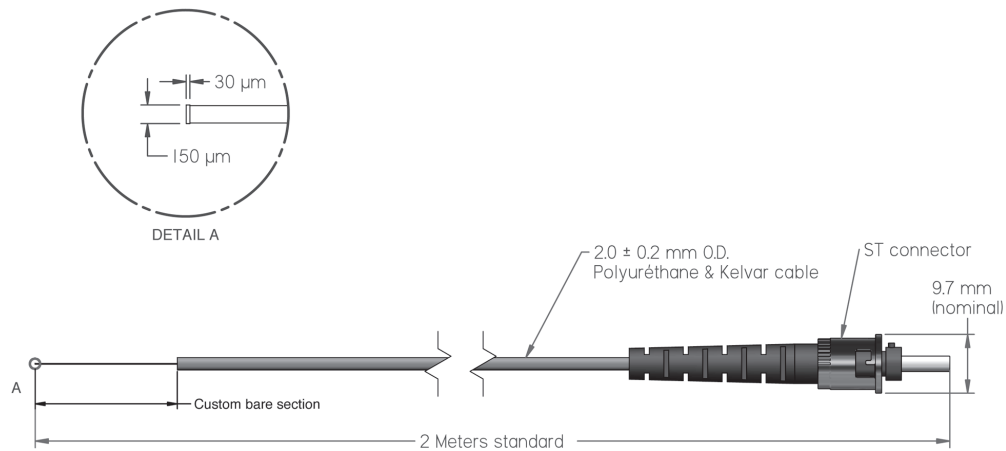
4. Based on MK1 squib, 275 milliseconds, defined as the rise time (10% to 90%) of the output.

5. Bandwidth up to 1.6kHz

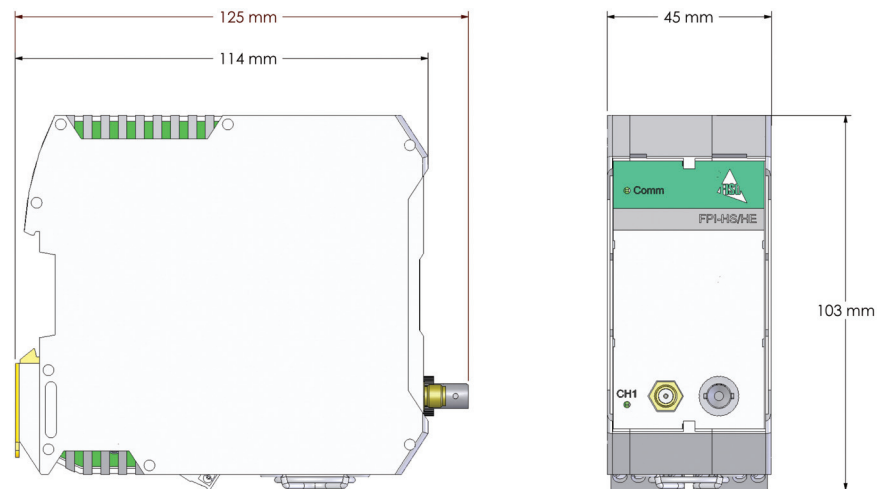
Sensor

FPI-HS/HE Module

FOT-HERO Sensor Dimensions



FPI-HS/HE Module Dimensions



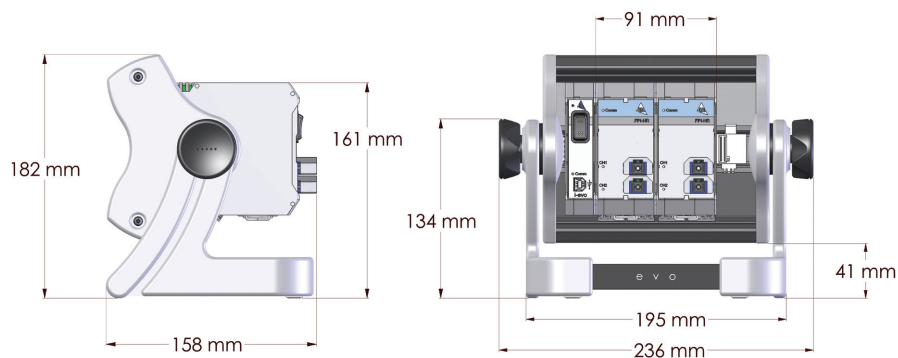
Specifications

Chassis

	EVOLUTION EVO-SD-2	EVOLUTION EVO-SD-5	EVOLUTION EVO-HMI-3 (Coming Soon)	EVOLUTION EVO-RM-8 Rackmount
Display	—	—	LCD WVGA (800 × 480) Touchscreen	—
Communication	USB Expansion RS-485	USB Expansion RS-485	USB Ethernet Gbits Expansion RS-485	USB Expansion RS-485
Data logging memory	Via computer	Via computer	Internal, SD, USB slave	Via computer
Number of modules	Up to 2	Up to 5	Up to 3	Up to 8
Expansion chassis	EVO-SD-5	EVO-SD-5	EVO-SD-5	EVO-RM-8
Power supply	24VDC 70W	24VDC 70W	24VDC 70W	24VDC 70W

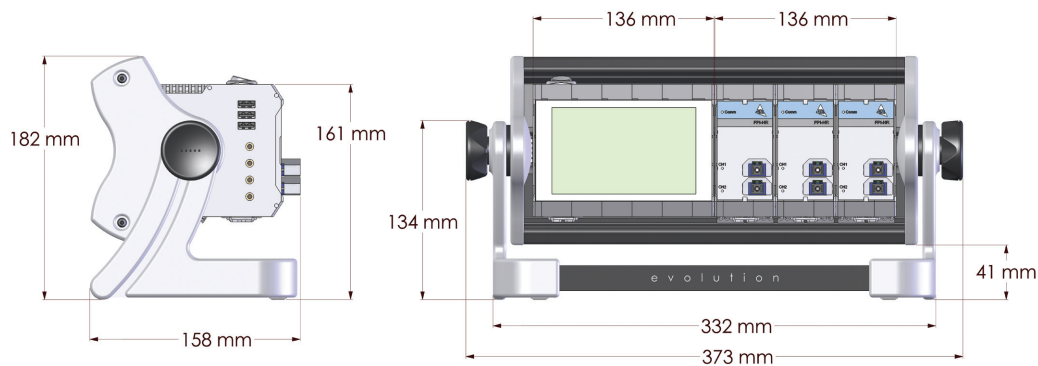
Evolution Chassis Dimensions

EVO-SD-2 Model



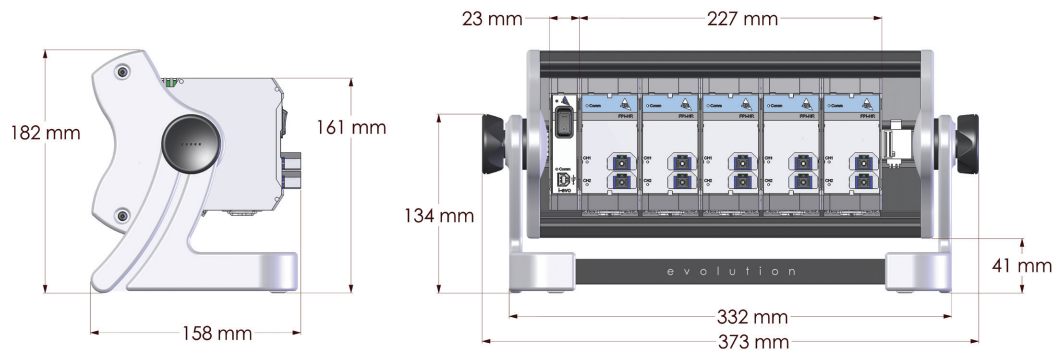
EVO-HMI-3 Model

COMING SOON

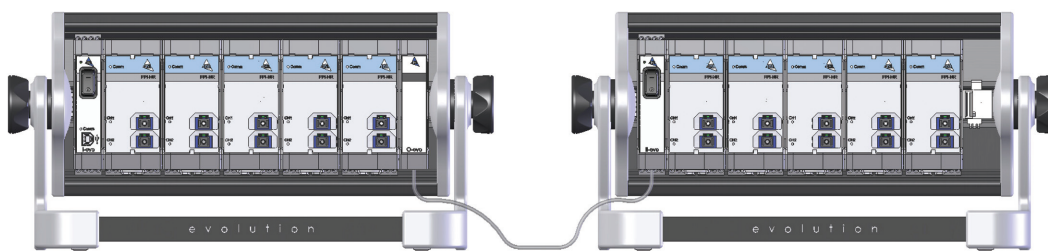


Evolution Chassis Dimensions

EVO-SD-5 Model



EVO-SD-5-EXP-Cable Model



EVO-RM-8 Model

