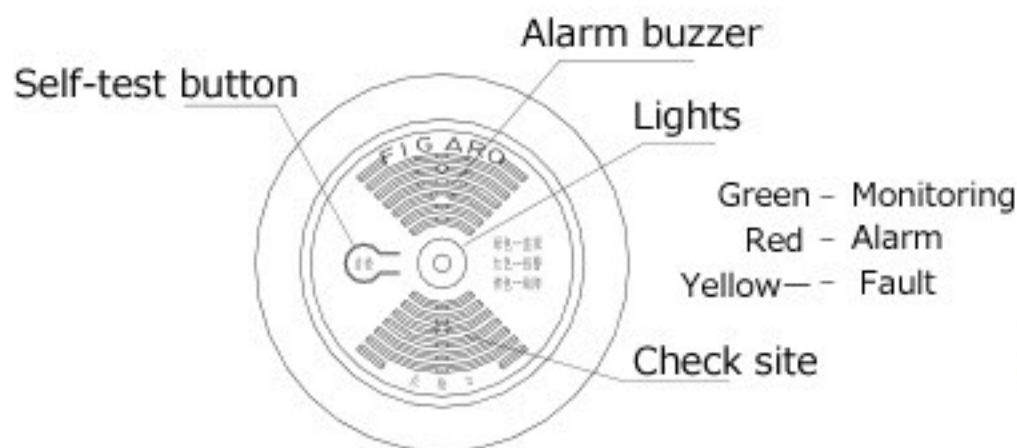
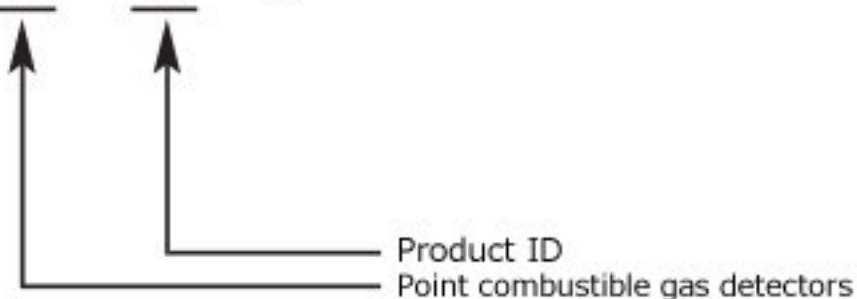


## Ministries Name



## Model Description and target gas

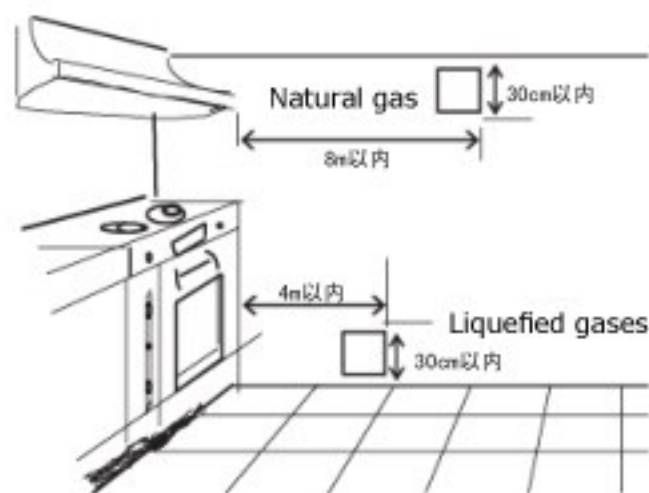
**BJ - 86 - 3**



### Note

Detection of different gas detectors are not common.

## Self-test button

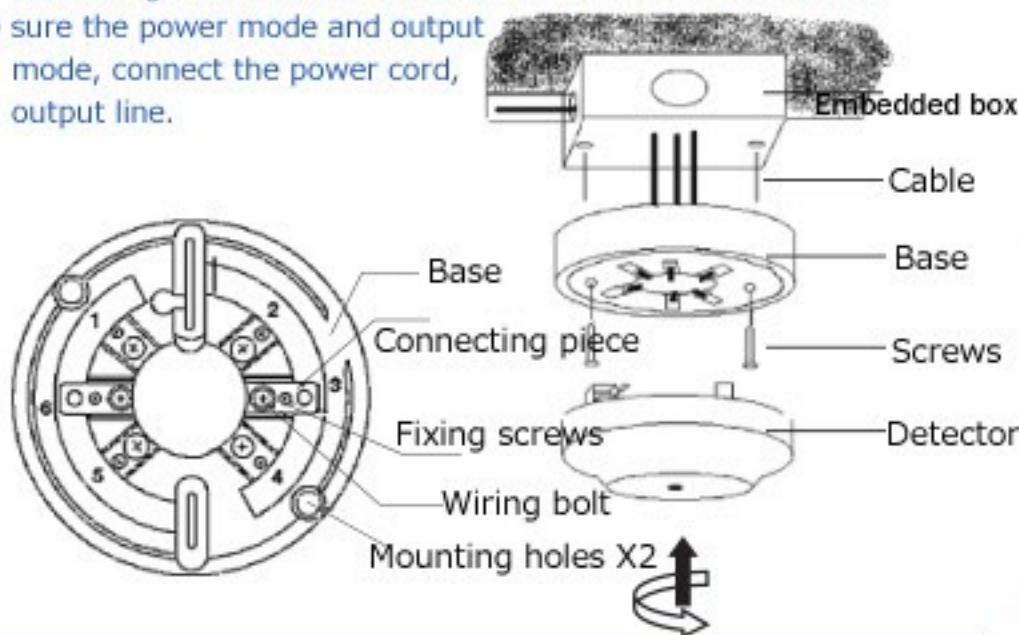


### Caveat

- must be installed in a gas leak may occur in the room. Other rooms Gas leaks may not alarm.
- This detector is not a bathroom and may not be installed in the bathroom, there is risk of leakage.

## Wiring and installation methods

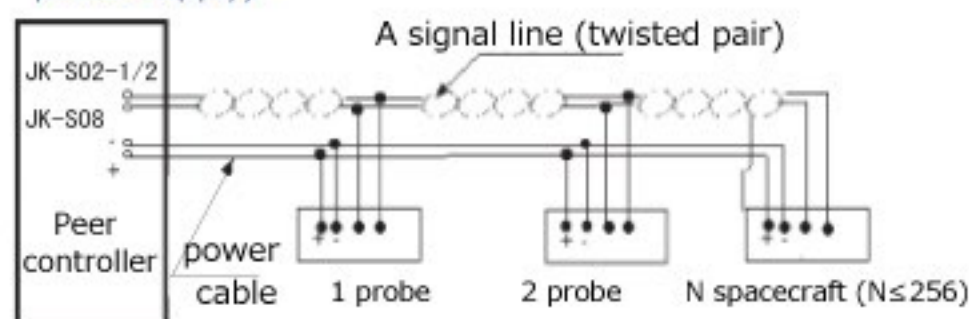
- ① Confirm the installation location (location and power of the embedded box on the wall).
- ② with tube and screw up the embedded box fixed to the wall with screws at the base on the embedded box (if not using embedded box, use accessory parts fixed to the base on the roof), the detector as follows Figure rotate counterclockwise on the base card. After
- ③ sure the power mode and output mode, connect the power cord, output line.



## Connecting and wiring systems

Bus system wiring methods

[2 (A), 5 (B) Signal line] (3 power positive and 4 negative power supply)



### Note

Wiring must be confirmation.

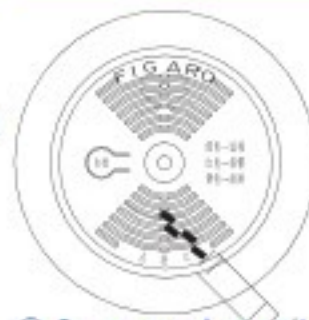
- wiring polarity, distinguish species, etc., be sure to pay attention to.
- When wiring is required in case of power failure.
- Do not drop the probe during installation.
- Be careful not to be injured during installation.

## Instructions

When the detector to power, there will be the following actions:

- ① energized: power on, the buzzer a few times, green light flashes.
- ② Monitoring: After about a few minutes, the green light is lit continuously, the detector enters normal monitoring state
- ③ self-test: Press the Self Test button, the red light, buzzer.
- ④ alarm: the environment and the gas leak concentration reaches the alarm, the red light, buzzer, after delay (customer request) with external output.
- ⑤ fault: in case the internal probe sensing element fails, the yellow light, the buzzer does not ring.
- ⑥ Recovery: After the disappearance of the gas environment, the red light goes off, the alarm sound stopped, no output, the recovery monitoring status.

## Inspection Method



- ① In normal monitoring state, will be aligned with the detection of gas detectors gas detection port, when reaching alarm levels, alarm motion was normal.
- ② During normal use, the detector once a month to check. Routine inspection visually confirm the green indicator lights can be.
- ③ injection gas to be detected but silent light alarm, please contact the agency.