

Model JWSL-1

Low cost and small cubage Temp. & Hum. Transmitter



DESCRIPTION

The model JWSL-1 series product is a temperature and humidity transmitter with low cost and small cubage. It convert the temperature and humidity of indoor air to stand electrical signals (e.g. 4-20mA, 0-5VDC) for auto control system or remote data acquisition system. It's extensively used for fields such as smart building, telecommunication, electric power, petrification, environmental protection, papermaking, metallurgy, foodstuff, medical treatment etc.

FEATURES

- *Low cost and small cubage*
- $\pm 0.5^{\circ}\text{C}$ and $\pm 3.0\%RH$ accuracy
- *4-20mA outputs*
- *CE certification*

PERFORMANCE SPECIFICATIONS

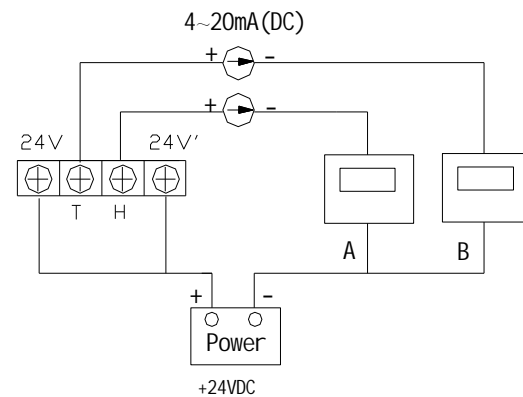
Power voltage	24VDC (18-30V)
Accuracy (25°C)	Temperature: $\pm 0.5^{\circ}\text{C}$ (0°C-50°C) Humidity: $\pm 3.0\%RH$
Output	Current two-wire 4ma to 20mA (Load < 500Ω); Voltage 0-5VDC (Load > 1KΩ)
Response time	<15s (wind speed >1m/s)
Long-term stability	Temperature: <0.1°C/year, Humidity: <1%RH/year
Operating environment	-10°C~60°C 5%RH~95%RH
Mounting dimension	90mm x 65mm x20mm (White Color ABS)

OPTION CODES

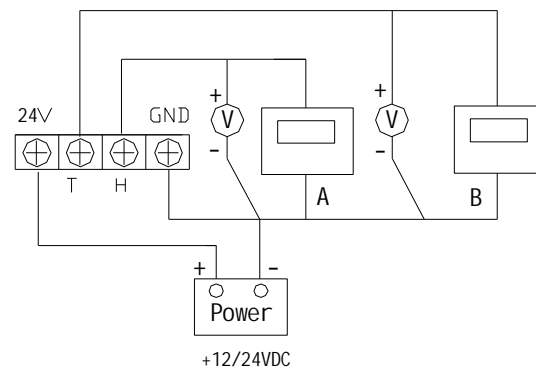
JWSL-1	
AT	Current two-wire 4ma to 20mA
AC	Current three-wire 4ma to 20mA
VB	Voltage three-wire 0 to5VDC

ELECTRICAL CONNECTION

- *Current two-wire 4ma to 20mA*



- *Voltage three-wire 0 to 5VDC*



NOTES

- *The transmitter should be installed in a steady area , avoid from direct sunshine, kept away from windows, air conditioning and central heating system etc. And it should not be installed on the wall which opposite the window or door in the room.*
- *The transmitter must be preventing from the chemical agent, oil, dust and dew and ice condition. And you must avoid using the product in the condition that temperature acuity.*