

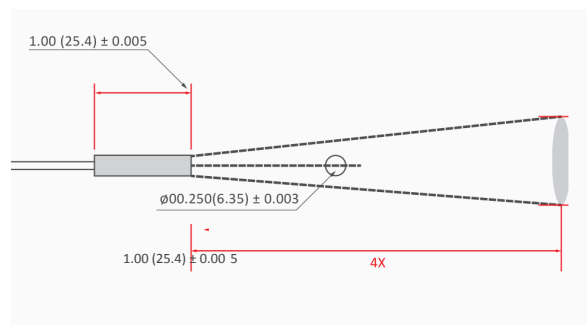
Infrared Temperature Sensors DATASHEET

MICRO IRT/C.4

Product Overview

The Micro IRT/c.4 features:

- Infrared Thermocouple IRt/c
- Non-contact
- Self-powered
- Intrinsically Safe
- Repeatability 0.02°F (0.01°C)
- Interchangeability ±1%
- Resolution approx. 0.0003°C
- Small Size



Technical Data

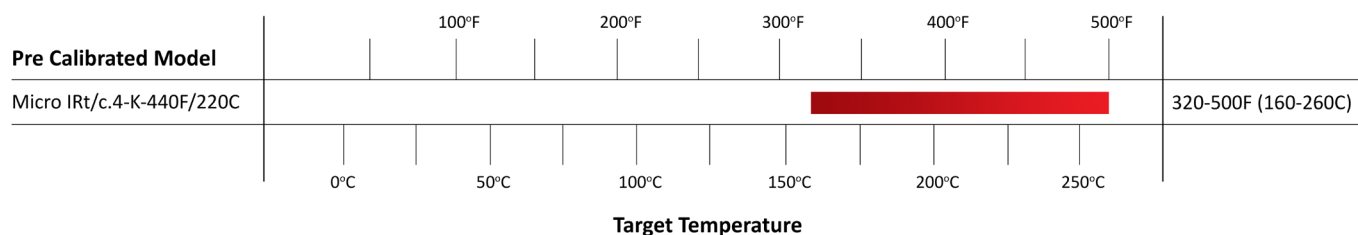
Sensing Range	-49 to 1157°F (-45 to 625°C)
Ambient Temperature Range	-4 to 212°F (-20 to 100°C). Air purge jacket available for cooling to 347°F (175°C)
Optimum Range Selection	One model: 2% linear to match a Kt/c from 212-240°C (see Temperature Selection Chart). For other temperature ranges please contact Exergen Global
Field of View	approximately 4:1 (14°)
Minimum Spot Size	.1" (3mm)
Spectral Response	3 to 20µm
Output Impedance	40 Kohms

Response Time	60 Milliseconds
Dimensions	0.25" (6.3mm) Dia. x 1.0" (25.4mm)
Housing	Stainless Steel, Hermetically sealed, exceeds NEMA 4X, IP67
Cable	3 feet of unshielded, duplex insulated, type K, 24 AWG, PFA jacket rated to 500°F (260°C) (Shielded cable available upon request)
Weight	Approximately 1oz. (30 grams) with cable
Input Device Compatibility	It is recommended to use input devices with less than 1 nA of leakage current to minimize offsets, and sensor break detection should be set to 40 Kohm maximum.

Calibration

Ordering information **Micro IRt/c.4-K-440F/220C**

Temperature Selection Chart



For other temperature ranges please contact Exergen Global

Specifications subject to change without notice