

Humidity & Temperature Meter Instruction Manual



Version: 1361-EN-00

- 1 -

Please read this manual carefully before using this unit. That manual will guide you how to use this premium quality and accurate meter distinctly.

Humidity & temperature meter are widely apply on lab, warehouse, air conditioning system and quality control etc.

Features

- (1). Large LCD dual display
- (2). Humidity & temperature measuring
- (3). Humidity & temperature Max / Min measuring
- (4). Data hold
- (5). °C/°F selectable
- (6). Low battery indication
- (7). Auto power off
- (8). LCD back light
- (9). K-type thermocouple temperature measuring

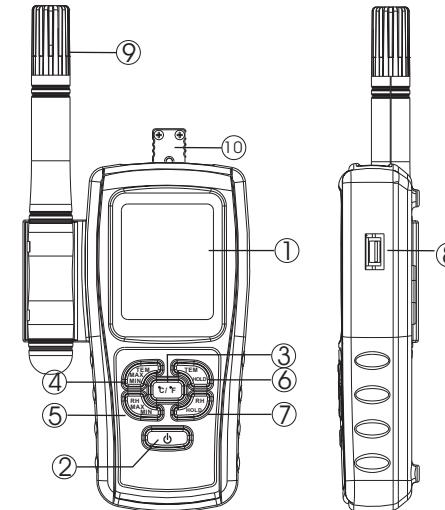
Operations

- (1). Open battery door, install 9V battery correctly. Press ON/OFF button to turn on for measuring.
- (2). °C/°F selection: Press °C/°F button for celsius or fahrenheit temperature measuring unit.
- (3). Temperature Max / Min measurement: Press TEM MAX MIN button to obtain maximum temperature value. Press T MAX MIN button again, LCD will display minimum temperature value and lock the data.
- (4). Humidity Max / Min measurement: Press RH MAX MIN button to measuring maximum temperature value. Press RH MAX MIN button again, LCD will display minimum temperature value and lock the data.
- (5). Data hold: While in normal measuring status, the display of temperature reading can be hold at any time by pressing the TEM HOLD button, press T HOLD again to exit the mode. On humidity hold reading same as by RH HOLD.
- (6). K-type thermometer measurement: Connect the k-type probe to the meter, LCD will display TYPE K indicates wide range temperature measuring mode. When unplug the k-type probe, the unit back to normal measure mode.
- (7). LCD back light: Press °C/°F more than 2 seconds will turn on / turn off the light.
- (8). ON / OFF: Automatic power off after 10 mins without any operation. Press ON / OFF to turn off the meter.

Diagram descriptions

- (1). LCD
- (2). ON/OFF button
- (3). Temperature switch and LED on/off button
- (4). Temperature maximum / minimum measuring button
- (5). Humidity maximum / minimum measuring button
- (6). Temperature data hold button
- (7). Humidity data hold button
- (8). Connection leadwire
- (9). Humidity & temperature sensor
- (10). K-type thermocouple

- 2 -



Specification

Temperature range: -10°C to 50°C
 K-type range: -20°C to 1000°C
 Relative humidity range: 5.0%RH to 98%RH
 Accuracy:
 Temperature: ±1°C (±1.8° F)
 K-TYPE: ±3% or ±2°C
 Relative humidity: ±3.5%RH
 Resolution:
 Temperature: 0.1°C/0.1° F: K-TYPE: 1°C
 Relative humidity: 0.1%RH
 Sampling rate: 2.5 times/sec
 Power supply: 9V battery
 Operating conditions: -10°C to 50°C (32° F to 122° F)
 ≤80%RH non-condensing
 Storage conditions: -10°C to 50°C (32° F to 122° F)
 0%RH to 90%RH

- 3 -

