



**TUV EN 14604 Approval
VdS 3131 Pending**

**10-Year Sealed Lithium Battery Power
Smoke Detector Fire Alarm - SD11**

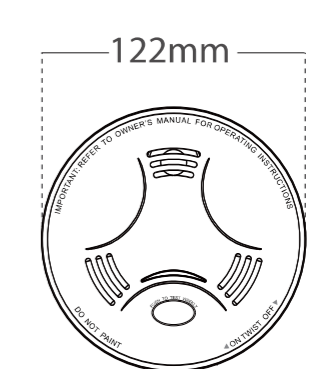
- Worry-free! 10-year battery life
- Advanced photoelectric sensing technology offers high sensitivity
- Auto-check malfunction, low battery warning
- Manual test & auto-reset

Specifications

Sensor Type	Photoelectric
Alarm Sound	>85dB (3m)
Power Supply	3V lithium battery (included)
Power Supply Life	10 years
Alarm Current	≤30mA
Standby Current	≤6μA
Working Temperature	-10 °C ~ + 50 °C
Working Humidity	≤93% RH
Weight	240g

Dimension

φ122 x 41(H) mm



41mm

