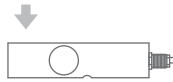


FTK

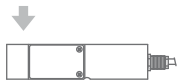
BENDING BEAM AND SHEAR LOAD CELLS



SHEAR BEAM: capacity from 500 kg to 5000 kg



IP68



BENDING BEAM: capacity from 75 kg to 300 kg



IP67

- SPECIAL STEEL
- COMBINED ERROR $\leq \pm 0.02\%$
- PROTECTION CLASS IP67, IP68

MOUNTING KITS



CAPACITY	kg	ACCURACY CLASS C3			EAC	NET WEIGHT OF LOAD CELL (kg)	CODE
75		-	•	•	•	1	FTK75
150		-	•	•	•	1	FTK150
300		-	•	•	•	1	FTK300
500		-	•	•	•	1	FTK500
1000		•	•	•	•	1.1	FTK1000
2000		•	•	•	•	1.1	FTK2000
3000		•	•	•	•	1.1	FTK3000
5000		•	•	•	•	1.1	FTK5000

ON REQUEST

CERTIFICATIONS



OIML R60 C3

CERTIFICATIONS ON REQUEST



ATEX II 1GD (zone 0-1-2-20-21-22)



IECEx (zone 0-1-2-20-21-22)

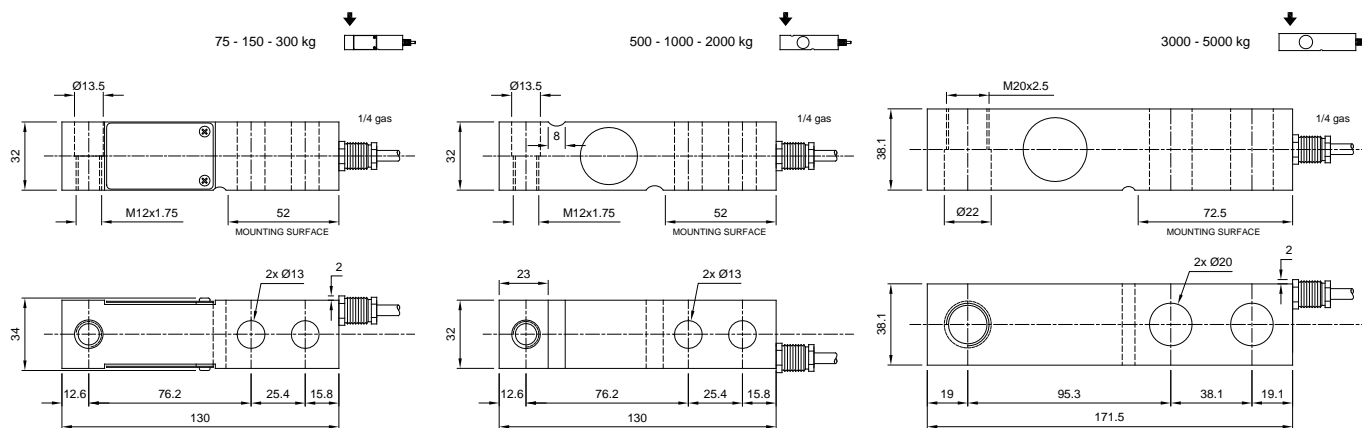


Complies with the Eurasian Custom Union regulations (Russia, Belarus, Kazakhstan)

FTK

BENDING BEAM AND SHEAR LOAD CELLS

DIMENSIONS (mm)

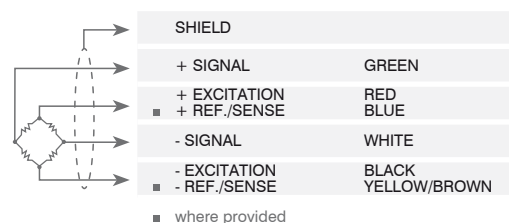


TECHNICAL FEATURES

Material	Special steel		
OIML R60 Accuracy class • Verification intervals	-	C3 • 3000	
Nominal load (E max)	75 -150 - 300 - 500 kg	1000 - 2000 - 3000 - 5000 kg	
Minimum verification interval (V min)	-	E max / 12000	
Combined error	≤ ±0.02%		
Protection class	IP67 - IP68		
Rated output	2 mV/V ±0.1%	Input resistance	400 Ω ±10
Temperature effect on zero	0.002% °C	Output resistance	352 Ω ±2
Temperature effect on span	0.0012% °C	Zero balance	±2%
Compensated temperature range	-10 °C / +40 °C	Insulation resistance	≥5000 MΩ
Operating temperature range	-20 °C / +70 °C	Safe overload (% of full scale)	150%
Creep at nominal load in 30 minutes	0.03%	Ultimate overload (% of full scale)	250%
Max supply voltage without damage	15 V	Deflection at nominal load	0.6 mm

ELECTRICAL CONNECTIONS

Cable length	6 m
Cable diameter	5 mm
Cores	4/6 x 0.24 mm ²



The Company reserves the right to make changes to the technical data, drawings and images without notice.