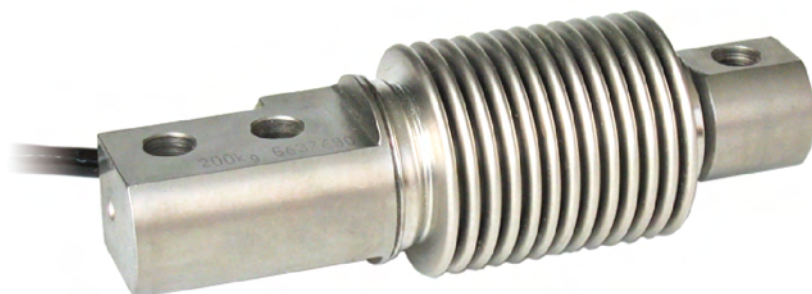


# FCOL

## BENDING BEAM LOAD CELLS

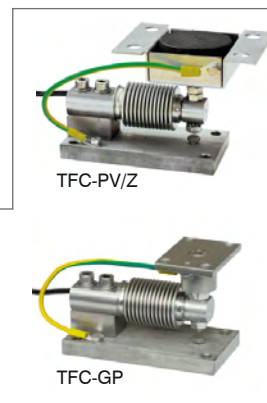


Capacity from 20 kg to 500 kg



- 17-4 PH STAINLESS STEEL
- COMBINED ERROR  $\leq \pm 0.02\%$  (0.017% C4)
- PROTECTION CLASS IP68

MOUNTING KITS



| CAPACITY | kg | ACCURACY CLASS |    | IECEx | Ex | EAC | NTEP | NET WEIGHT OF LOAD CELL (kg) | CODE    |
|----------|----|----------------|----|-------|----|-----|------|------------------------------|---------|
|          |    | C3             | C4 |       |    |     |      |                              |         |
| 20       |    | •              | •  | •     | •  | •   | •    | 0.4                          | FCOL20  |
| 50       |    | •              | •  | •     | •  | •   | •    | 0.4                          | FCOL50  |
| 100      |    | •              | •  | •     | •  | •   | •    | 0.4                          | FCOL100 |
| 200      |    | •              | •  | •     | •  | •   | •    | 0.4                          | FCOL200 |
| 350      |    | •              | •  | •     | •  | •   | •    | 0.4                          | FCOL350 |
| 500      |    | •              | •  | •     | •  | •   | •    | 0.4                          | FCOL500 |

ON REQUEST

### CERTIFICATIONS



OIML R60 C3

CERTIFICATIONS ON REQUEST



ATEX II 1GD (zone 0-1-2-20-21-22)



IECEx (zone 0-1-2-20-21-22)



OIML R60 C4

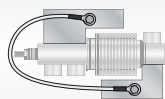


Complies with the Eurasian Custom Union regulations (Russia, Belarus, Kazakhstan)



NTEP - compliant to the metrological standards of United States and Canada (capacity from 50 to 500 kg)

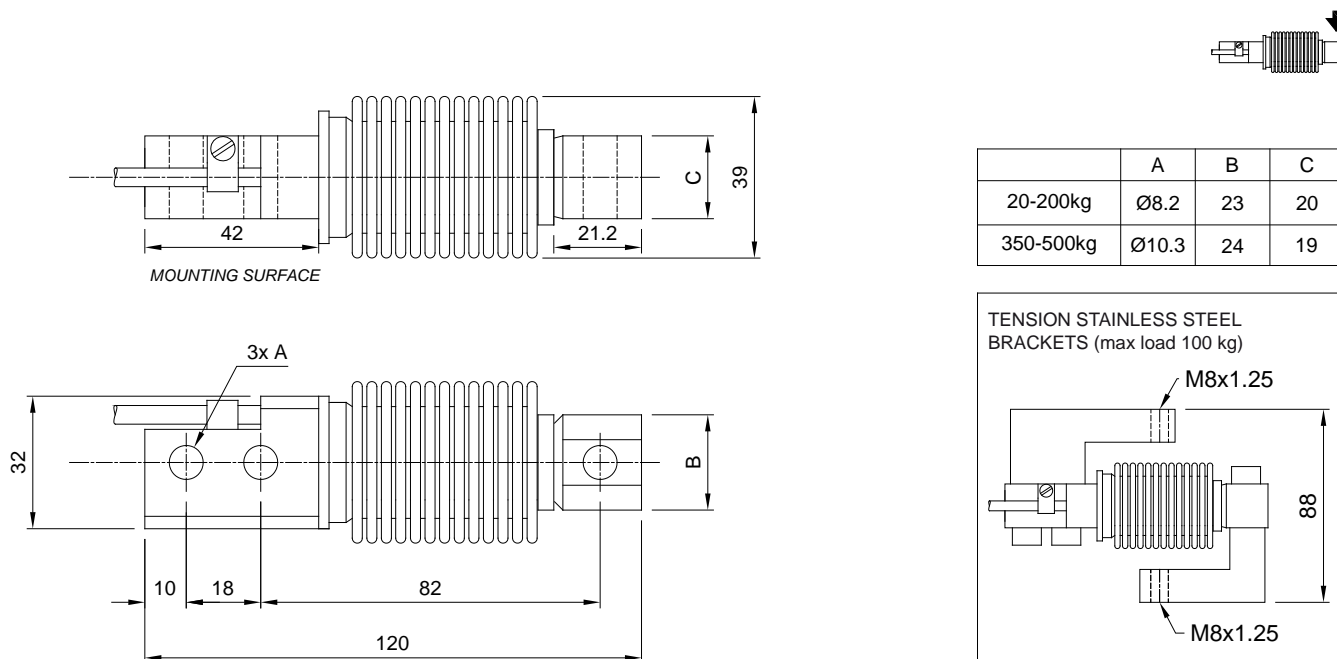
### COMPLEMENTARY ACCESSORIES

|   | DESCRIPTION  | CODE     |
|---|--|----------|
|  | Pair of tension stainless steel brackets.<br>Maximum static load: 100 kg | STAFFEFC |

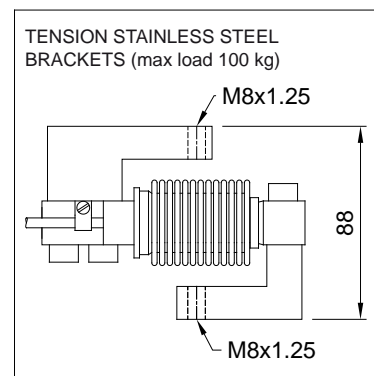
# FCOL

## BENDING BEAM LOAD CELLS

### DIMENSIONS (mm)



|           | A     | B  | C  |
|-----------|-------|----|----|
| 20-200kg  | Ø8.2  | 23 | 20 |
| 350-500kg | Ø10.3 | 24 | 19 |



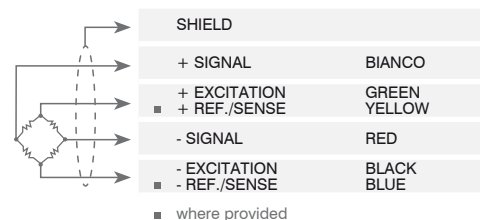
### TECHNICAL FEATURES

|  |                                    |                                     |            |
|--|------------------------------------|-------------------------------------|------------|
| Material   | 17-4 PH stainless steel            |                                     |            |
| OIML R60 Accuracy class • Verification intervals | C3 • 3000                          | C4 • 4000                           |            |
| Nominal load (E max)                             | 20 - 50 - 100 - 200 - 350 - 500 kg |                                     |            |
| Minimum verification interval (V min)            | E max / 10000                      | E max / 15000                       |            |
| Combined error                                   | ≤ ±0.02%                           | ≤ ±0.017%                           |            |
| Protection class                                 | IP68                               |                                     |            |
| Rated output                                     | 2 mV/V ±1% *                       | Input resistance                    | 460 Ω ±50  |
| Temperature effect on zero                       | 0.002% °C                          | Output resistance                   | 350 Ω ±3.5 |
| Temperature effect on span                       | 0.0014% °C                         | Zero balance                        | ≤ ±1%      |
| Compensated temperature range                    | -10 °C / +40 °C                    | Insulation resistance               | ≥5000 MΩ   |
| Operating temperature range                      | -35 °C / +65 °C                    | Safe overload (% of full scale)     | 150%       |
| Creep at nominal load in 30 minutes              | 0.02%                              | Ultimate overload (% of full scale) | 300%       |
| Max supply voltage without damage                | 18 V                               | Deflection at nominal load          | 0.4 mm     |

\* Calibrated current output

### ELECTRICAL CONNECTIONS

|                |                            |
|----------------|----------------------------|
| Cable length   | 3 m                        |
| Cable diameter | 5 mm                       |
| Cores          | 4/6 x 0.22 mm <sup>2</sup> |



The Company reserves the right to make changes to the technical data, drawings and images without notice.