

CTOL

TENSION (COMPRESSION) LOAD CELLS



Manufactured according to OIML R60 standards

Capacity from 50 kg to 300 kg



Capacity from 500 kg to 5000 kg



- AISI 420 STAINLESS STEEL
- COMBINED ERROR $\leq \pm 0.03\%$
- PROTECTION CLASS IP67

CAPACITY	kg	IECEx	Ex	EAC	NET WEIGHT OF LOAD CELL (kg)	CODE
50		•	•	•	0.7	CTOL50
100		•	•	•	0.7	CTOL100
200		•	•	•	0.7	CTOL200
300		•	•	•	0.7	CTOL300
500		•	•	•	0.7	CTOL500
1000		•	•	•	1.4	CTOL1000
2500		•	•	•	1.4	CTOL2500
5000		•	•	•	2.7	CTOL5000


ON REQUEST

CERTIFICATIONS

CERTIFICATIONS ON REQUEST

	ATEX II 1GD (zone 0-1-2-20-21-22)
	IECEx (zone 0-1-2-20-21-22)
	Complies with the Eurasian Custom Union regulations (Russia, Belarus, Kazakhstan)

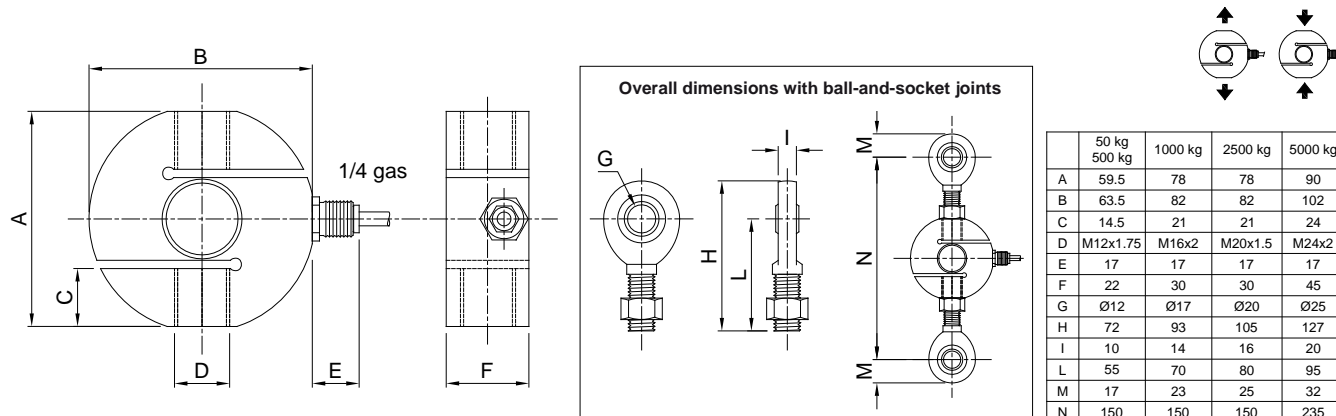
COMPLEMENTARY ACCESSORIES

DESCRIPTION	CODE	
 <p>Special steel ball-and-socket joint with nut.</p>	Dimensions:	
	Load cell capacity:	
	M12x1.75	50-500 kg EM12DADO
	M16x2	1000 kg EM16DADO
	M20x1.5	2500 kg EM20DADO
M24x2	5000 kg EM25DADO	

CTOL

TENSION (COMPRESSION) LOAD CELLS

DIMENSIONS (mm)

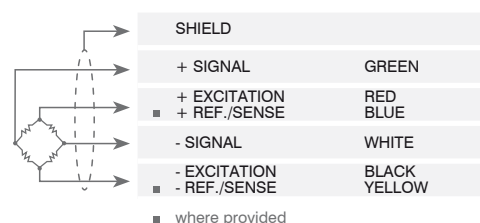


TECHNICAL FEATURES

Material	AISI 420 stainless steel		
Nominal load (E max)	50 - 100 - 200 - 300 - 500 - 1000 - 2500 - 5000 kg		
Combined error	≤ ±0.03%		
Protection class	IP67		
Rated output	2 mV/V ±0.4%	Input resistance	385 Ω ±30
Temperature effect on zero	0.0025% °C	Output resistance	350 Ω ±10
Temperature effect on span	0.0025% °C	Zero balance	±2%
Compensated temperature range	-10 °C / +40 °C	Insulation resistance	>2000 MΩ
Operating temperature range	-20 °C / +60 °C	Safe overload (% of full scale)	150%
Creep at nominal load in 30 minutes	0.03%	Ultimate overload (% of full scale)	250%
Max supply voltage without damage	15 V	Deflection at nominal load	0.4 mm

ELECTRICAL CONNECTIONS

Cable length	5 m
Cable diameter	6 mm
Cores	4/6 x 0.20 mm ²



The Company reserves the right to make changes to the technical data, drawings and images without notice.