

UV Radiometer 2.0

GUVx-T1xGS2-3LW5.0

Description

Water Enviroments(10Bar), Display : Absolute Power, Output of Display : Relay, 4-20mA (Option), RS485 (Option)

Constitution

Display, Sensor Probe, 5m Cable

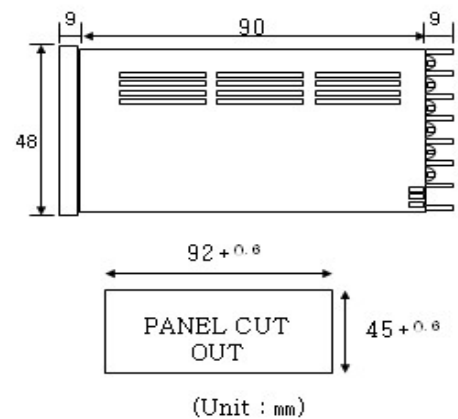


Fig. 1 Picture and Drawing of UV Radiometer 2

Case dimensions

Thread/Length for Mounting	Diameter (mm)	Window (mm)	Wrench Size (mm)	Length (mm)	Weight (g)	Case Material
PT1/4 "/12 mm	21	7	19	63	67	STS 316-L

Absolute Maximum Ratings

Parameter	Value			Unit	Remark
	Min.	Typ.	Max.		
Operating Temperature	-30		85	°C	Sensor Probe
	0		50	°C	Display
Power Consumption			5	VA	

Electro-Optical Characteristics (at 25 °C)

Parameter		Value			Unit	Remark
		Min.	Typ.	Max.		
Detection Wavelength Range	GUVV-T11GS2-3LW5.0	230		395	nm	
	GUVB-T12GS2-3LW5.0	220		320	nm	
	GUVC-T11GS2-3LW5.0	220		280	nm	
Detection Power Range		0		100	mW/cm ²	

* Maximum of detection power : 20 mW/cm² (Option), 100 mW/cm² (Standard), 1000 mW/cm² (Option)

Connection (Backside of Display)

1. Main Power : 1 & 2, AC 100 ~ 240 V 50/60 Hz
2. Sensor Probe : 11(Vcc), 12(GND), 6(Sensor output), 5(GND)
3. Relay : 13 & 14 (Normal), 15 & 16 (Alarm)
4. 4-20 mA (Option) : 17(+), 18(-)
5. RS485 (Option) : 19(A), 20(B)