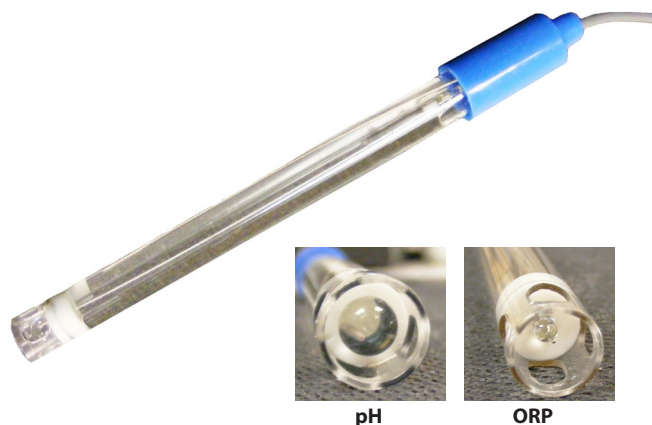


# S150C(pH) and S150C-ORP Low Cost Polycarbonate Body Electrodes



pH

ORP

## Specifications

<b>pH Measuring Range</b>	0-14 pH Na+ error >12.3 pH)
<b>Wetted Materials</b>	Polycarbonate, Silicone, pH Glass or Platinum
<b>Max Temperature</b>	60 degrees C
<b>Max Pressure</b>	50 psig
<b>Cable Length</b>	30 inches
<b>Connectors</b>	choice of BNC, (US Std, DIN at additional cost)
<b>Response Speed pH</b>	>90% in 1 second

**Use with any pH meter**

**Durable polycarbonate body construction**

**Shipped in soaking solution ready for immediate use**

**Available In clear or black bodies(upon request)**

**No-Maintenance Gel filled reference**

**RoHS Compliant**

The new S150C and S150C-ORP in polycarbonate body, offer a lower cost alternative to epoxy body pH and ORP electrodes. Choose them for general purpose lab applications, pool and spa pH and chlorine control and more.

A newly designed tip offers pH bulb and ORP platinum or gold protection while maintaining optimum flow through the slots in the body.

Both pH and ORP models are shipped in a soaker bottle and are ready for immediate use.

The gell-filled sealed reference provides maintenance-free operation.

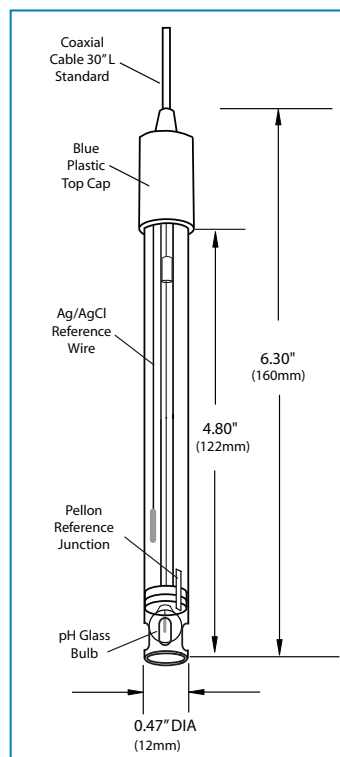
RoHS compliant, both pH and ORP models are built using lead-free glass and lead-free solder.

Standard versions are supplied in a clear Polycarbonate body. Black body versions are available upon request in OEM quantities. Contact Sensorex for more details.

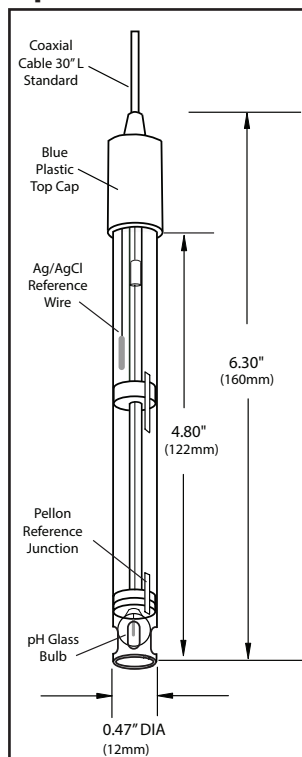
**Parts covered by this product data sheet include:**

S150C, S150CD, S150C-ORP, S150CD-ORP

**OUTLINE DRAWING AND DIMENSIONS  
FOR S150C & S150CD pH ELECTRODES**

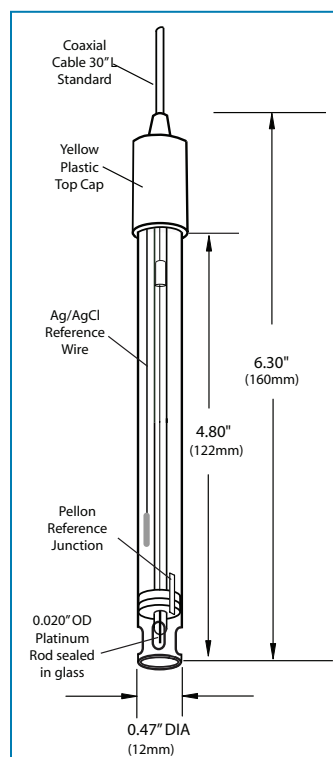


**S150C**

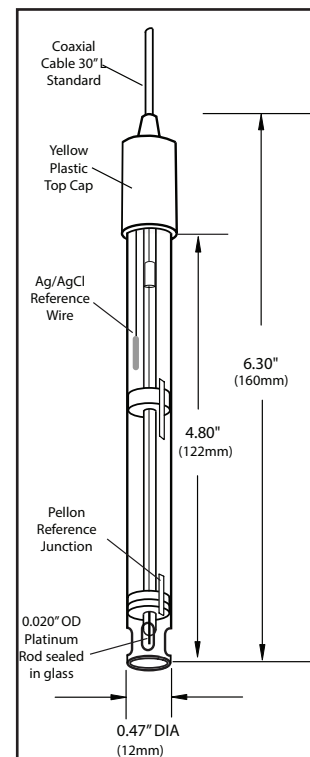


**S150CD**

**OUTLINE DRAWING AND DIMENSIONS  
FOR S150C-ORP & S150CD-ORP ELECTRODES**



**S150C-ORP**



**S150CD-ORP**

**ORDERING INFORMATION**

Part no.	Description
S150C	Combination pH electrode, Clear Body, 1 meter cable, BNC connector or other at additional cost
S150CD	Combination pH electrode, Clear Body, Double junction, 1 meter cable, BNC connector or other at additional cost
S150C-ORP	Combination ORP electrode, Platinum, Clear Body, 1 meter cable, BNC connector or other at additional cost
S150CD-ORP	Combination ORP electrode, Platinum, Clear Body, Double junction, 1 meter cable, BNC connector or other at additional cost
S150C-ORP-AU	Combination ORP electrode, Gold, Clear Body, 1 meter cable, BNC connector or other at additional cost