
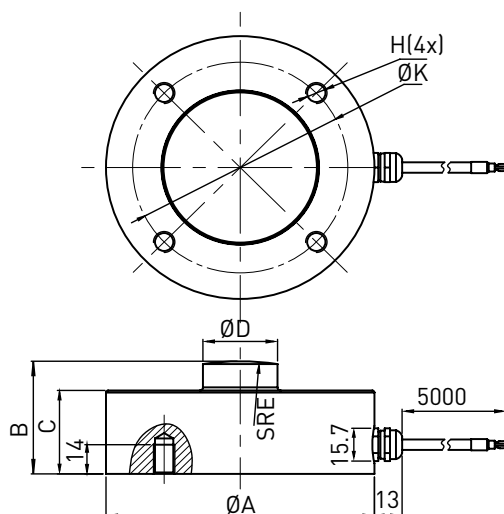


Compression Load Cell

F1811

 / Size and Capacity




SIZE(mm)	A	B	C	D	E	K	H	/Material	/Weight
CAP (kg) 250/500/1000/ 2000/3000/ 5000/10000	82	44	32	22	50	68	M8	Stainless steel	1.2kg
15000/20000	100	48	36	28	100	80	M8		1.6kg
30000	126	54	40	35	100	101	M10		3.2kg
50000/100000	165	80	62	60	150	144	M10		8.6kg


 / Technical Parameters

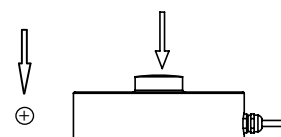
Specifications	/Technique
Rated output	1.5 ± 10 %mV/V
Zero balance	± 2% F.S.
Non-linearity	0.1% F.S.
Hysteresis	0.1% F.S.
Repeatability	0.1% F.S.
Creep (30min)	0.1% F.S.
Temp. effect on output	0.05% F.S. / 10°C
Temp. effect on zero	0.05% F.S. / 10°C
Input impedance	750 ± 10 Ω
Output impedance	700 ± 5 Ω
Insulation	≥5000MΩ / 100VDC
Recommended excitation	10V
Maximum excitation	15V
Compensated temp. range	-10 ~ 60°C
Operation temp. range	-20 ~ 80°C
Safe overload	150% F.S.
Ultimate overload	200% F.S.
Cable size	Ø5 × 5000 mm
Protection class	IP67
Cable color code	Input: Red(+) Black(-); Output: Green(+) White(-);



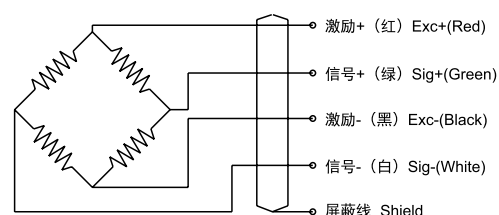
 / Features & Applications

- Low profile pancake load cell
- Made of Stainless steel, fully welded seal with stainless steel cover
- IP67, waterproof and moisture-proof
- Compact structure, easy to install
- Various applications such as pressing machine, bearing assembly machine, axle wheel identifying

 / Load Direction



 / Schematic Wiring Diagram



Note: Cable shield is not connected to element.

Model:F1811