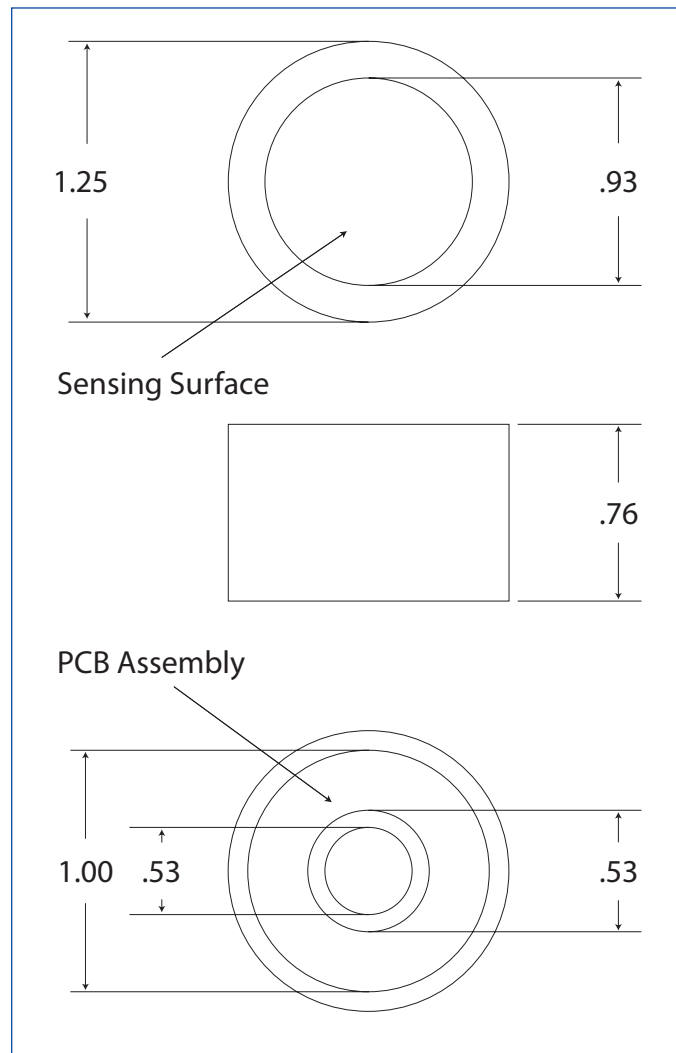


# TO2-1x PPM Oxygen Sensor



## Specifications:

|                                  |   |
|----------------------------------|---|
| Sensor Technology                | Micro Fuel Cell                             |
| Signal Output <sup>1</sup>       | 285 - 590 uA                                |
| Measuring Range                  | 0 - 10 PPM (Min)<br>0-10000PPM(Max)         |
| Response Time T90                | 13 Seconds                                  |
| Accuracy Full Scale <sup>2</sup> | ± 1% of Signal                              |
| Repeatability F.S.               | ± 0.5%                                      |
| Temp Coefficient                 | 2.54 % / ° C                                |
| Operating Temp                   | 0 to 50 ° C                                 |
| Storage Temp                     | 0 to 45 ° C                                 |
| Recommended Flow                 | 0.5 - 5 SCFH                                |
| Humidity                         | 0 - 100% RH<br>(Non-Condensing)             |
| Expected Life <sup>3</sup>       | 20 - 25 Months                              |
| Storage                          | 6 Months                                    |
| Warranty <sup>4</sup>            | 12 Months                                   |
| PCB Connection                   | Center Foil Negative<br>Outer Foil Positive |

## Direct Replacement Guide

Teledyne Analytical B-2C  
Analytical Industries PSR-12-223

1. Signal Output is measured in air at 25 ° C, Sea Level.
2. Accuracy Full Scale is calculated with constant pressure and temperature & proper calibration (90% O<sub>2</sub> Value on Full Scale Range). Drastic Temperature change can result in a maximum error of ± 10%.
3. Expected life is calculated when O<sub>2</sub> < 1000 ppm @ 25 ° C, Sea Level.
4. Southland Sensing warrants these sensors for the period noted above to be free from defects in materials and workmanship. Southland Sensing will not be held liable for sensors damaged due to customer neglect.