

# PSG 120/122 - SUBMINIATURE TRANSDUCER

The Models PSG 120 and PSG 122 are subminiature pressure transducers manufactured with a unitized stainless steel diaphragm allowing for a thin diaphragm and heavy side walls from one piece of stainless steel. This design produces a very sensitive but rugged transducer able to cover the entire pressure range from 15 psi to 15,000 psi. The PSG 120 and PSG 122 transducers are ideal in corrosive fluid environments and are recommended for applications involving rough handling or where a completely hermetically sealed transducer is required.

- **UNITIZED DIAPHRAGM**
- **HIGH FREQUENCY**
- **FLUSH DIAPHRAGM**
- **STAINLESS STEEL**

## SPECIFICATIONS

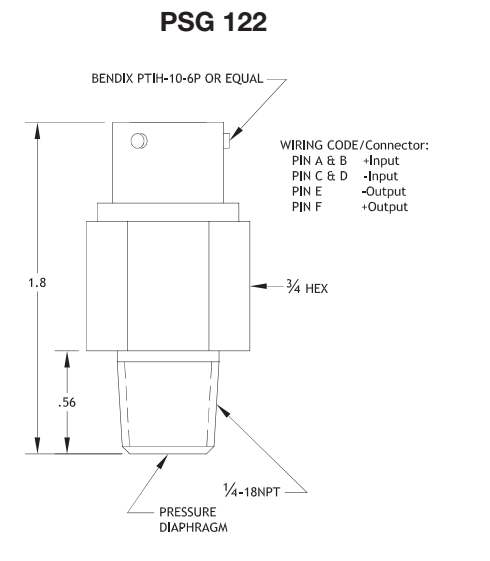
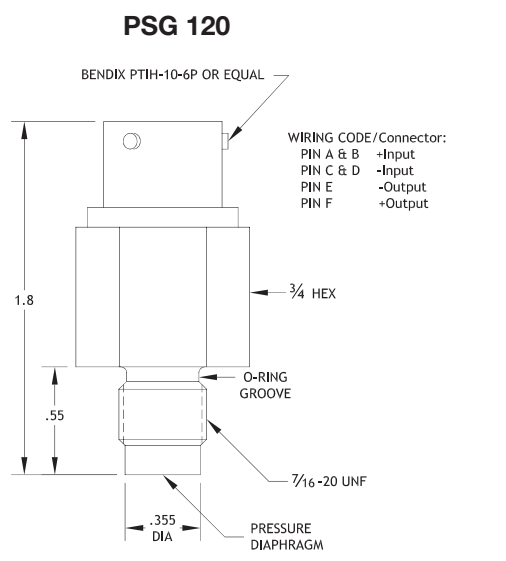
PRESSURE RANGES:	15 psi to 15,000 psi
LINEARITY/HYSTERESIS:	15 psi to 100 psi - $\pm .1\text{mv}$ 150 psi to 15,000 psi $\pm 0.5\%$ F.S.
REPEATABILITY:	15 psi to 100 psi - $\pm 0.02\text{ mV}$ 150 psi to 15,000 psi - $\pm 0.1\%$ F.S.
MATERIAL:	Stainless Steel
TEMPERATURE RANGE:	60° to 160°F
OUTPUT:	15 psi to 100 psi - $.1\text{mv/psi}$ 150 psi to 10,000 psi - $2\text{ mV/V}$
BRIDGE RESISTANCE:	350 ohm
EXCITATION:	5 Vdc
SAFE OVERLOAD:	100% Over Capacity
PRESSURE PORT:	7/16-20 UNF Male PSG 120 1/4-18 NPT Male PSG 122
CABLE:	Twisted Leads - 5 Ft



## PRESSURE RANGES

<p><b>PSG 120</b></p> <p>15; 25; 50; 75; 100; 150; <b>200</b>; 300; <b>500</b>; 750; <b>1000</b> psi 1500; <b>2000</b>; <b>3000</b>; <b>5000</b>; 7500; <b>10,000</b></p>	<p><b>PSG 122</b></p> <p>15; 25; 50; 75; 100; 150; 200; 300; 500; 750; 1000 psi 1500; 2000; 3000; 5000; 7500; 10,000</p>
---	--

\*Stocked ranges are in bold type



All dimensions are in inches, unless otherwise noted. Also available in metric units.

All dimensions are in inches, unless otherwise noted. Also available in metric units.