

Data Sheet

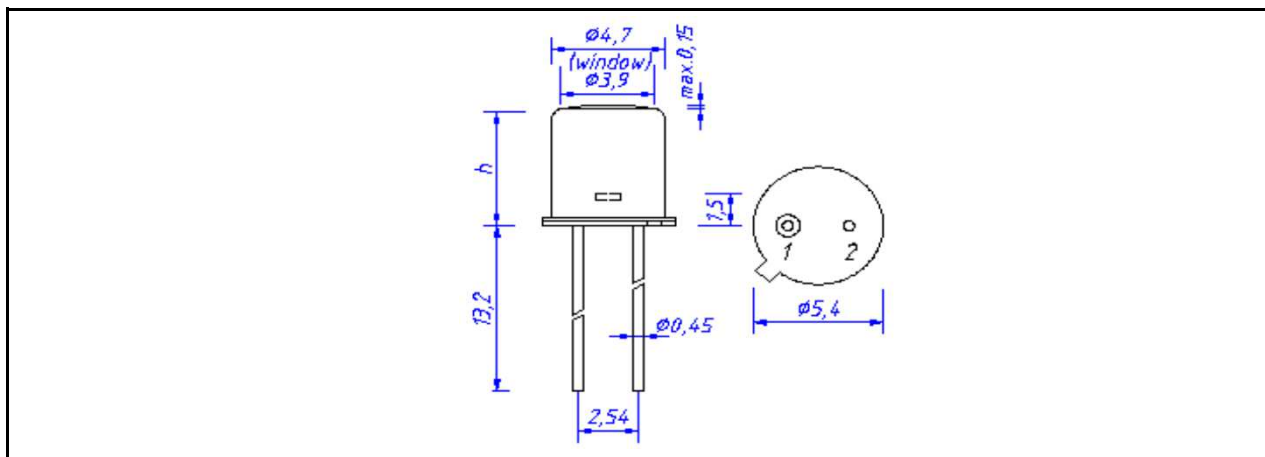
page 1 of 2

UV photodiode

EOPD-265-0-0.5-CC

Rev. 02, 2016

Radiation	Type	Technology	Case
ultraviolet	UV-glass	SiC	TO-52



1 - anode, 2 - cathode + case, h=3.7 mm

Description:

Low cost SiC photodiode with high spectral sensitivity in the UV range (205 nm - 355 nm), mounted in hermetically sealed TO-52 package with UV-glass window, RoHS and WEE compliant

Applications:

- ◆ universal measurements in the UV range
- ◆ sterilization lamp monitoring
- ◆ flame monitoring

Maximum Ratings

T_{amb} = 25°C, unless otherwise specified

Parameter	Symbol	Value	Unit
Chip size	A	0.55 x 0.55	mm ²
Active area	A	0.25	mm ²
Reverse voltage	V_R	10	V
Operating temperature range	T_{amb}	-40 to +125	°C
Storage temperature range	T_{stg}	-40 to +125	°C
Soldering temperature, 3 s	T_{sol}	260	°C

Data Sheet

page 2 of 2

UV photodiode

EOPD-265-0-0.5-CC

Rev. 02, 2016

Optical and Electrical Characteristics

 $T_{amb} = 25^{\circ}\text{C}$, unless otherwise specified

Parameter	Test conditions	Symbol	Min	Typ	Max	Unit
Dark current	$V_R = 1\text{ V}$	I_D		25		fA
Peak sensitivity wavelength	$V_R = 0\text{ V}$	λ_p		265		nm
Responsivity at λ_p	$V_R = 0\text{ V}$	S_λ		0.18		A/W
Responsivity at $\lambda = 254\text{ nm}$	$V_R = 0\text{ V}$	S_λ		0.16		A/W
Sensitivity range at $0.1 S_{max}$	$V_R = 0\text{ V}$	$\lambda_{min}, \lambda_{max}$	205		355	nm
Junction capacitance	$V_R = 0\text{ V}$	C_J		75		pF
Acceptance angle	$V_R = 0\text{ V}$	ϕ		± 40		deg

Relative spectral sensitivity

