

Oxygen Flow Meters MF5806 Series



MF5806 Series Oxygen Flow Meters

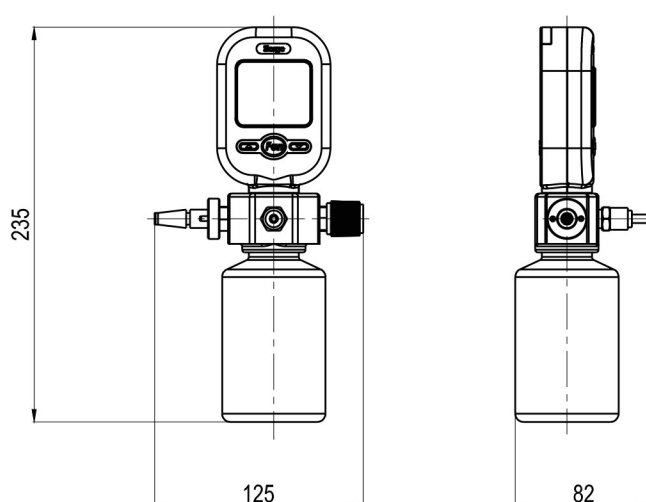
The Products

MF5806 series oxygen flow meters are specially designed for hospital individual oxygen therapy applications. It provides precise measurement of instant oxygen intake rate and accumulated oxygen dosage for the individual oxygen delivery system. The design provides low power consumption that makes it possible for operation on battery when power is a concern. The meter can be directly connected to the central station via RS485 that can provide remote monitoring and control which will reduce the risk of oxygen over dosing.

Features

- ✎ Plug-and-play hospital oxygen deliver design for easy usage
- ✎ Mass flow technology provides precise instant rate and accumulated dosage
- ✎ Historical data storage and retrieval
- ✎ Password protected access
- ✎ Instant rate and accumulated dosage alarm
- ✎ Excellent repeatability and accuracy
- ✎ Low power design with stand-alone operation by battery

Mechanical Dimensions



iSweek www.isweek.com

Add: 16/F, Bldg. #3, Zhongke Mansion, No.1 Hi-Tech S. Rd, Hi-Tech Park South, Shenzhen, Guangdong, 518067 P.R.China

Tel: + 86-755-83289036

Fax: + 86-755-83289052

E-mail: sales@isweek.com

Oxygen Flow Meters MF5806 Series

Specifications

Parameter	Value	Unit
Flow range	0~10	SLPM
Accuracy	$\pm(1.5+0.5FS)$	%
Repeatability	0.5	%
Response time	≤ 2	Sec
Power supply	4 AA batteries(LR6) or AC adapter (6 ~ 15 Vdc)	
Power consumption	≤ 10	mW
Digital output	RS485 (Modbus)	
Display	LCD	
Display information	Instant flow: SLPM; Accumulated flow: m ³ ; Temperature: C; Battery status	
Flow resolution	0.01	SLPM
Keyboard	3 keys	
User function	Password; alarm limit; accumulated flow; zero reset	
Working pressure	0.1 ~0.6	MPa
Working temperature	-10 ~ +55	C
Pressure loss	≤ 500	Pa
Battery life	>60	Day
Calibration	Air@ 20 C,101.325 kPa	
Pin out	miniUSB (optional)	
DN	6.0	mm
Mech. connection	Medical oxygen nozzle (customizable)	
Weight	350	g

Notes: * The above parameters are applicable at 20°C and 101.325kPa.

** Meter head can be rotated 180 degree for convenience at installation and reading.

Product Selection

