

Epoxy Body Combination ISE Electrodes



Easy-to-use combination sensors

ISE types available: Fluoride (F-), Chloride (Cl-), Ammonium (NH₄+), Potassium (K+) and Nitrate (NO₃-)

Fixed cable or quick-disconnect cartridge

Rugged epoxy body

ELECTRODE SPECIFICATIONS

Dimensions: 6.50" (165 mm) H x 0.476" (12 mm) OD

Wetted Materials: ISE pellet (F⁻, Cl⁻)
ISE membrane (NH₄⁺, NO₃⁻, K⁺)
Body: Epoxy
Junction: Silicone/Pellon

Temperature Range: 0-60°C (F⁻, Cl⁻ only)
0-40°C (NH₄⁺, NO₃⁻, K⁺)

Isopotential Point: NH₄⁺ = 0 +/-20mV (1ppm)
K⁺ = 0 +/-20mV
F⁻ = 240 +/-20mV
NO₃⁻ = 200 +/-20mV
Cl⁻ = 225 +/-20mV (10ppm)

Slope: 56 +/-4mV

pH Range: Cl⁻: 2-10 pH
NH₄⁺: 4-10 pH
NO₃⁻: 3-11 pH
K⁺: 3-11 pH
F⁻: 5-7 pH

Concentration Range: Cl⁻: 5x10⁻⁵ to 1M
NH₄⁺: 1 x 10⁻⁶ to 1M
NO₃⁻: 7 x 10⁻⁶ to 1M
K⁺: 1 x 10⁻⁶ to 1M
F⁻: 1 x 10⁻⁵ to 1M

Response Time: 90% in 1 minute

Interfering ions: NH₄⁺ = K⁺, Li⁺, Na⁺, Cs⁺
K⁺ = Cs⁺, NH₄⁺, H⁺, Li⁺, Na⁺, Ag⁺
F⁻ = OH⁻, H⁺ complexes
NO₃⁻ = Cl⁻, NO₂⁻, Br⁻, CN⁻, ClO₃⁻, I⁻, ClO₄⁻
Cl⁻ = S⁻², I⁻, Br⁻, CN⁻, OH⁻

Parts covered by this product data sheet include:

IS200CD-NH₄, IS200CD-CL, IS200CD-F, IS200CD-NO₃, IS200CD-K,
IS222CD-NH₄, IS222CD-CL, IS222CD-F, IS222CD-NO₃, IS222CD-K

Sensorex offers a combination Ion Selective Electrodes (ISE's) for Fluoride (F⁻), Chloride (Cl⁻), Ammonium (NH₄⁺), Potassium (K⁺) and Nitrate (NO₃⁻) measurement. These convenient combination electrodes use just one electrode to measure ppm of ions.

All Sensorex ISE's are housed in rugged plastic bodies and offer a choice of fixed cable or detachable cable design.

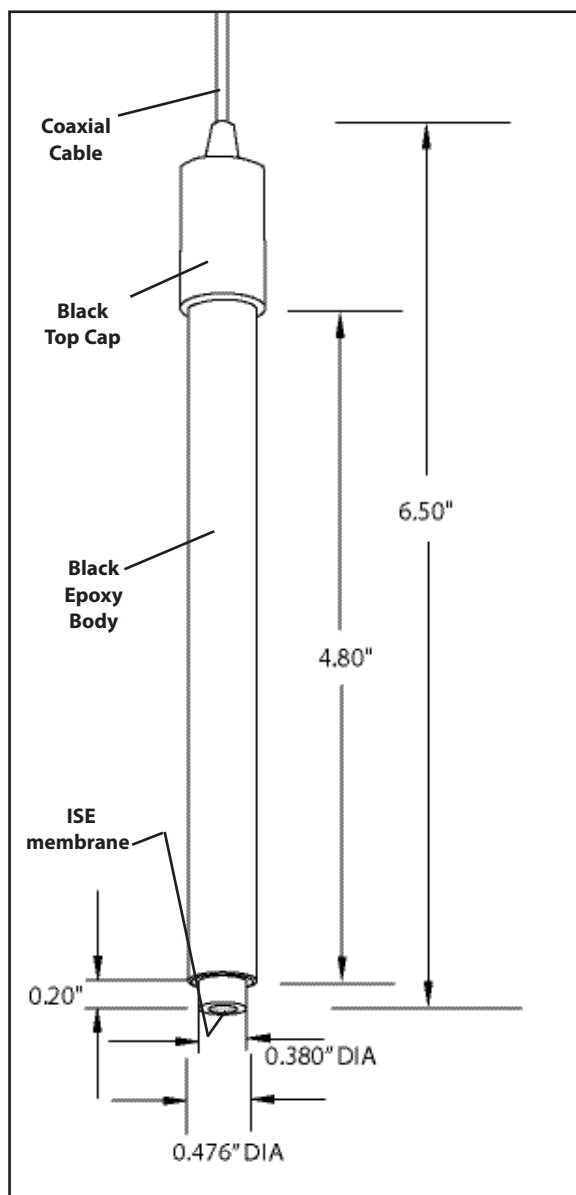
Use these electrodes with your ISE meter, pH meter in mV mode or with any mV input device.

Sensorex ISE's require little to know cleaning and are maintenance free (no reference or ISE refill solution required).

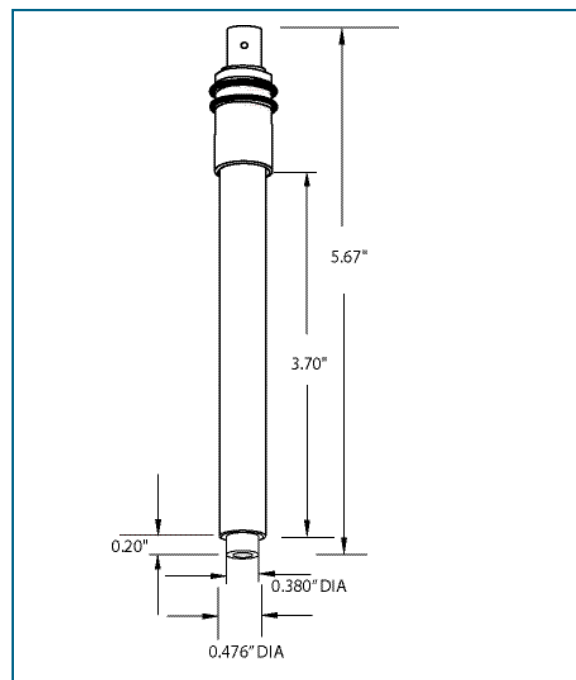
Each electrode is shipped in a bottle with or without a storage solution and are ready for immediate use.

Epoxy Body Combination ISE Electrodes

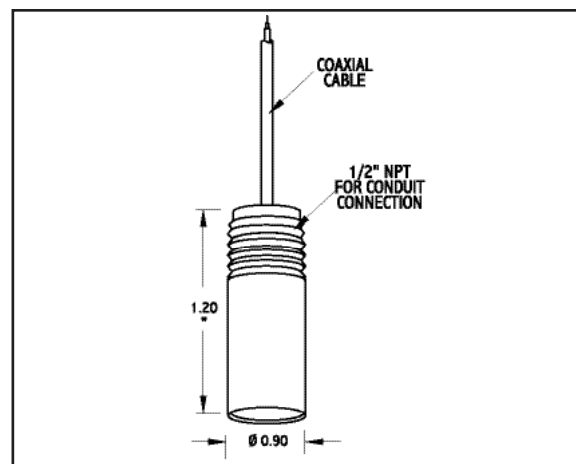
IS200CD-NH4, IS200CD-CL,
IS200CD-F, IS200CD-NO3,
IS200CD-K



IS222CD-NH4, IS222CD-CL,
IS222CD-F, IS222CD-NO3,
IS222CD-K



S653 Cap & Cable Assembly



Epoxy Body Combination ISE Electrodes

Ordering Information

Part Number	ISE Type	Description
IS200CD-NH4	Ammonium (NH ₄ ⁺)	Combination ammonium ISE electrode, 6.5"(165mm) L x 0.48" 12mm OD), 30" (.76m) fixed cable, black epoxy body
IS200CD-CL	Chloride (Cl ⁻)	Combination chloride ISE electrode, 6.5"(165mm) L x 0.48" 12mm OD), 30" (.76m) fixed cable, black epoxy body
IS200CD-F	Fluoride (F ⁻)	Combination fluoride ISE electrode, 6.5"(165mm) L x 0.48" 12mm OD), 30" (.76m) fixed cable, black epoxy body
IS200CD-NO3	Nitrate (NO ₃ ⁻)	Combination nitrate ISE electrode, 6.5"(165mm) L x 0.48" 12mm OD), 30" (.76m) fixed cable, black epoxy body
IS200CD-K	Potassium (K ⁺)	Combination potassium ISE electrode, 6.5"(165mm) L x 0.48" 12mm OD), 30" (.76m) fixed cable, black epoxy body
IS222CD-NH4	Ammonium (NH ₄ ⁺)	Combination ammonium ISE electrode cartridge 5.7"(145mm) L x 0.48" 12mm OD), 30" (.76m), black epoxy body. Requires cable assembly S653.
IS222CD-CL	Chloride (Cl ⁻)	Combination chloride ISE electrode cartridge 5.7"(145mm) L x 0.48" 12mm OD), 30" (.76m), black epoxy body. Requires cable assembly S653.
IS222CD-F	Fluoride (F ⁻)	Combination fluoride ISE electrode cartridge 5.7"(145mm) L x 0.48" 12mm OD), 30" (.76m), black epoxy body. Requires cable assembly S653.
IS222CD-NO3	Nitrate (NO ₃ ⁻)	Combination nitrate ISE electrode cartridge 5.7"(145mm) L x 0.48" 12mm OD), 30" (.76m), black epoxy body. Requires cable assembly S653.
IS222CD-K	Potassium (K ⁺)	Combination potassium ISE electrode cartridge 5.7"(145mm) L x 0.48" 12mm OD), 30" (.76m), black epoxy body. Requires cable assembly S653.