


# RP76 SERIES

## RP76 Series

Image	Series Description	Modes	Ranges
	<b>Terminal (Conduit) Mount</b> <ul style="list-style-type: none"> <li>Back or Bottom Mounting Option</li> <li>Universal Power Supply</li> <li>Built-in Timer Modes</li> </ul>	Through Beam	28m
		Retroreflective	10m
		Diffuse with Background Suppression	300mm

Through-beam	Diffuse	Retroreflective (Polarized)
--------------	---------	-----------------------------

### DC Models

Emitter	RP76-T028MD-EY9T4L		
NPN - Timing Delay	RP76-T028MN-CY9T4U-T	RP76-D0300N-CY9T4U-BT	RP76-L010MN-CY6T4U-TP
PNP - Timing Delay	RP76-T028MP-CY9T4U-T	RP76-D0300P-CY9T4U-BT	RP76-L010MP-CY6T4U-TP

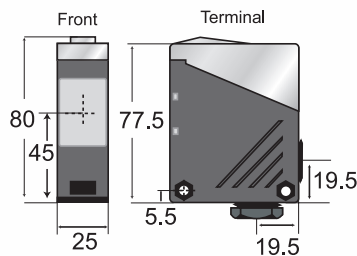
### AC Models

Emitter	RP76-T028MA-EY9T4L		
Relay SPST - Timing Delay	RP76-T028MR-CY9T4L-T	RP76-D0300R-CY9T4L-BT	RP76-L010MR-CY6T4L-TP

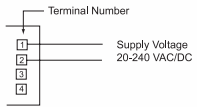
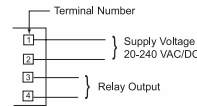
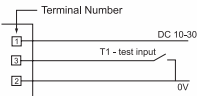
### Technical Data

Operating Range	28m (91.8 ft.)	0.3m (11.8 in.)	10m (32.8ft.)
Light Emission	880nm Infrared LED		660nm Red LED
Power Supply	DC: 10-30 VDC AC: 20-250 VAC		
Current Consumption	DC: <35 mA (no load) AC: <2 VA		
Time Options	No Delay, On Delay, Off Delay, One-shot (for Models With Timing Delay)		
Time Settings	Adjustable, 0.1...15s (for Models with Timing Delay)		
Indicator LEDs	Green: Power, Yellow: Output, Red: Margin / SCP		
Housing Material	Glass fiber reinforced plastic		
Lens Material	Acrylic		
Mechanical Protection	IP66 / NEMA 4		
Circuit Protection	Reverse polarity protected (DC Models also have outputs short circuit and over current protected)		
Operating Temperature	-25°C to +55°C (-13°F to 131°F)		
Storage Temperature	-40°C to +55°C (-40°F to 131°F)		
Reference Standard	IEC 60947-5-2		

### Dimensions



### Connections

<b>Emitter AC</b> 	<b>AC Receiver, Diffuse &amp; Retro.</b> 
<b>Emitter DC</b> 	<b>NPN/PNP</b> 