

NAP-56A

NAP-56A is not made with thermoplastics to achieve a higher temperature resistivity. The pin locations and dimensions are compatible to NAP-55A for the convenience of current users of Nemoto NAP-55A. The gas sensitivity is better than NAP-55A by about 15%. Users are to pay attention to this higher gas sensitivity upon calibration.

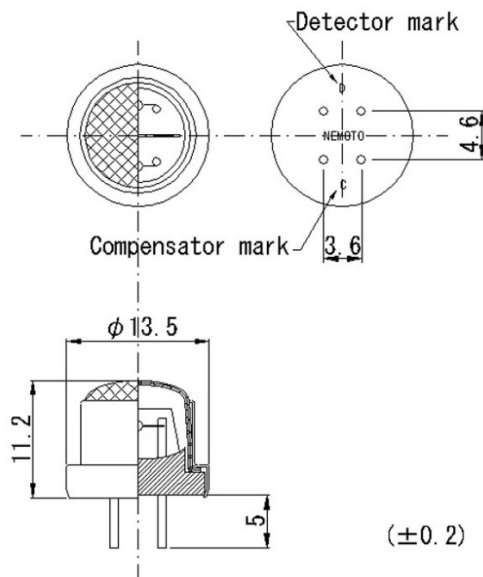
• Target gases & concentration

gases		Detection range
Methane	CH ₄	0.05-5% (0.05-2%)
Ethane	C ₂ H ₆	0.05-3.2% (0.05-1.5%)
Hydrogen	H ₂	0.05-4% (0.05-1.5%)
Hydro-carbons	C _n H _{2n+2}	1-100%LEL (1-50%LEL)

• Ratings

Item	Ratings
Supply voltage	DC 2.5±0.25V AC 2.5±0.25V(RMS 50-60Hz)
Current (2.5Vapplied)	DC 150-170mA AC 150-170mA(RMS 50-60Hz)
Ambient temperature	In operation -10 ~ +50°C In storage -10 ~ +50°C
Ambient humidity	In operation : less than 95%RH In storage : less than 99%RH (without dew condensation)

() is a detection range in high accuracy



Structure & appearance of NAP-56A

• Gas sensitivity characteristics

Gases and concentration	Output values
Output in clean air	-35 ~ +35mV
Methane 3,000ppm	15 ~ 23mV
Iso-butane 1,400ppm	12 ~ 18mV
Hydrogen 1,400ppm	10 ~ 17mV

