

AG-6-CH4-2842-020

WIDE TEMPERATURE LASER METHANE SENSOR

Advanced series



Features

- ✓ *Strong anti-interference*
- ✓ *High detection accuracy*
- ✓ *High environmental adaptation*
- ✓ *Strong structural protection*
- ✓ *Long life ≥ 10 years*
- ✓ *Calibration-free*
- ✓ *Wide temperature use*

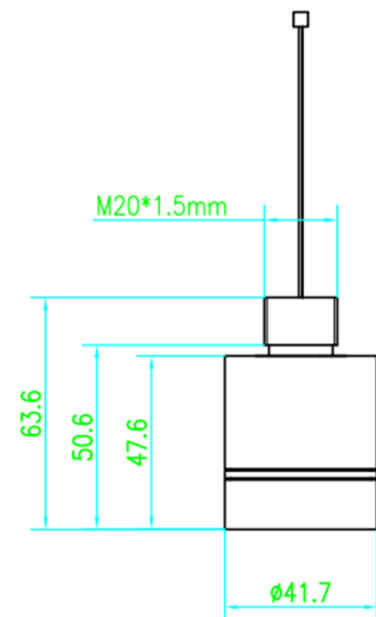
Description

AG-6-CH4-2842-020 methane sensor adopts self-developed laser and photodetector core devices, combined with stable temperature control algorithm, concentration inversion algorithm and temperature compensation algorithm to achieve accurate measurement of methane concentration; the product is based on the Tunable Laser Absorption Spectroscopy (TD-LAS), internal design of the multiple reflectance optical path structure, absorption of the light range is long, and the detection sensitivity is high; Standard threaded mounting interface and stainless steel structure design to meet the requirements of explosion-proof, convenient for customers to quickly product integration, can be widely used in underground space, catering industry, industrial chemical industry and coal mining and other fields.

Wide Temperature Use LASER METHANE SENSOR

Technical Specification

Measuring Range	0-20% VOL (CH ₄)
Response Time(T90)	<15s
Measurement Error	< ±0.06VOL (0-1% VOL) < ±6% VOL (1-20% VOL)
Lower Detection Limit	0.15% VOL
Resolution (Minium)	0.01 % VOL (CH ₄)
Operating Voltage	3.0VDC to 3.6VDC
Operating Current(Average)	< 30mA
Peak Current	< 160mA
Output Type	3.3V TTL level UART
Temperature Range	-40 - 70°C (Operating) -40 - 60°C (Storage)
Humidity Range	0-99% RH non-condensing
Weight	255g
Expected Life	10 years
Warranty	18 months
Explosion Proof Signs	Ex ia IIC T6 Ga
IP Rating	IP 66



IMPORTANT NOTICE

The sensors contain precision optical components, please avoid severe impact. The operating voltage of the sensor is 3.3V. It is forbidden to supply more than 3.6VDC to the sensor in order to avoid damaging the sensor.

Under normal operating conditions, the sensor is warranted to be free of defects in material and workmanship for the specified period provided the sensor is properly installed and operated. The sole remedy for a sensor determined to be defective by Apollosense Ltd is limited to replacing the sensor. Apollosense Ltd will not be liable for the buyer's negligence, misapplication, abuse, or accident.