

# 180° WIDE ANGLE UV SENSOR PROBE

## GUVV-T10GC-H6

### Features

- For monitoring of global UV irradiance (total UV)
- Power supply is not necessary
- Analog Voltage Output
- Measure the UV Power from Sunlight



### Applications

UV Power Monitoring of Sunlight

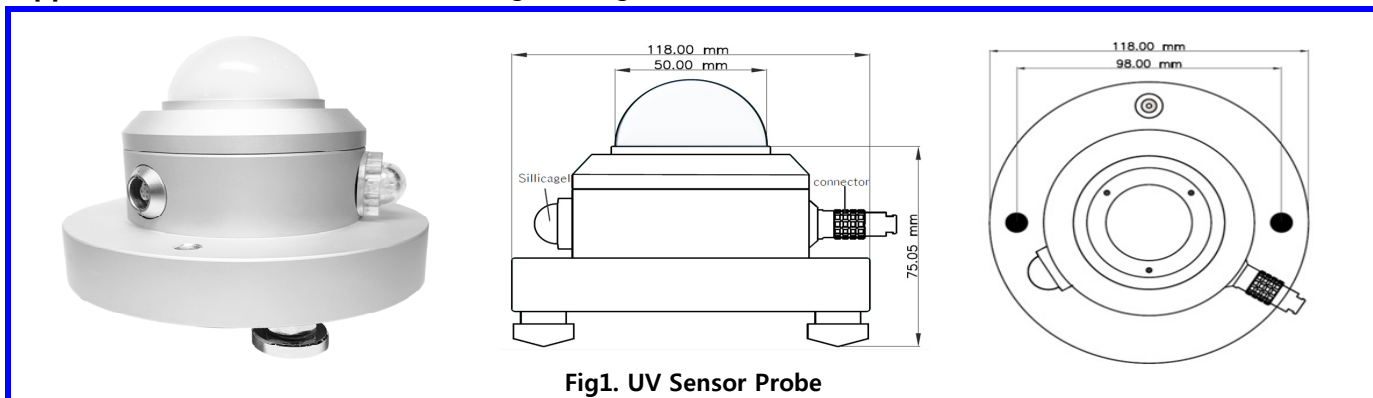


Fig1. UV Sensor Probe

### Absolute Maximum Ratings

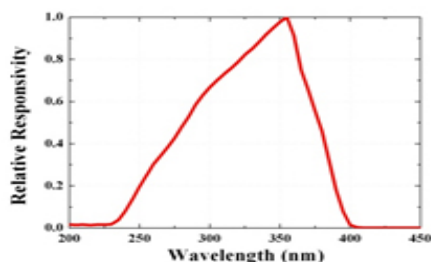
Parameter	Symbol	Value			Unit	Remark
		Min.	Typ.	Max.		
Storage Temperature	T <sub>st</sub>	-40		90	°C	
Operating Temperature	T <sub>op</sub>	-30		85	°C	

### Electro-Optical Characteristics (at 25 °C)

Parameter	Symbol	Value			Unit	Remark
		Min.	Typ.	Max.		
Spectral Detection Range	λ	230		395	nm	10% of Max.
Sensitivity	S		2		mV/mW/cm <sup>2</sup>	
Maximum UV irradiance	I <sub>uv</sub>	0		100	mW/cm <sup>2</sup>	
Impedance (nominal)	R		10		kΩ	
Field of view			180		degrees	
Directional response (up to 70°)			5		%	
Response Time	T		5		ms	

Standard cable length of 5 m, optional cable lengths 10 m

### Relative Responsivity



### Field of view

