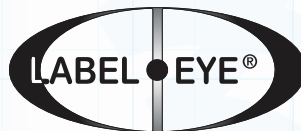
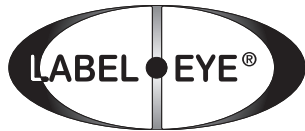




High Speed Label Sensor



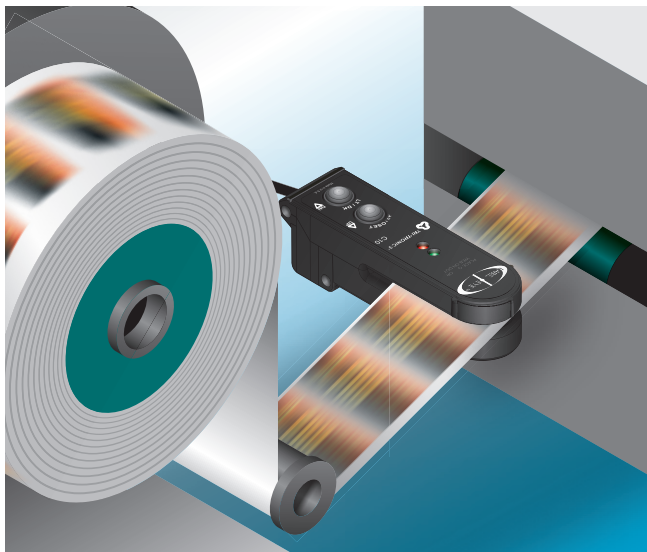


Ultra-High Speed LABEL•EYE

The **Ultra-High Speed LABEL•EYE** was specifically designed to overcome issues of speed and accuracy that are common in label applying, counting, printing, and inspecting. Designing a sensor that is accurate within just .004" at 2000 feet per minute is no small feat. This American designed and manufactured sensor also is the most affordable product in its class... starting at just under \$150. It is the most economical solution as well as the most robust.

If the application is to print a date code in a small white box on a label, or on a web, there is no simpler product available at this speed and price. From start up speed to top line speeds, the **Ultra-High Speed LABEL•EYE** doesn't miss a single label, nor will it have to be adjusted for print migration/drift or label landing inconsistency... it is just that repeatable.

If the overall cost of your current solution is less than desirable and expensive high speed label sensors provide an unreliable result, then applying the **Ultra-High Speed LABEL•EYE** should provide the worry free, reliable, and high level production accuracy desired.



Features

- 10 microseconds Response Time
- 5 microseconds Repeatability
- One Button AUTOSSET
- Tweak-able Up/Down Adjustment
- M12, M8, or Cable Models
- Robust Electrical and Mechanical Design
- Remote AUTOSSET on M12 Models
- Waterproof

Benefits

- Easy to Set Up
- Highly Accurate and Precise
- Low Maintenance
- Affordable, Low-Cost Option
- Made in USA
- Durable and Reliable

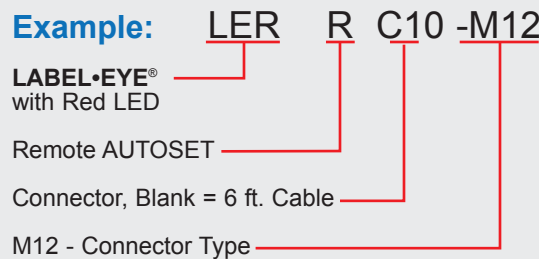
Applications

- Label Rewinding
- Label Applying
- Splice Detection
- High Speed Counting
- Perforation Detection
- Weld Seam Detection
- Registration Mark Sensing



How to Specify

- Select Sensor:**
Ultra-High Speed LABEL•EYE
 LERC10 = Red LED, 4-pin M8 Connector
 LERR10 = Red LED, 5 Conductor, 6 ft. (1.8m) Cable
 LERRC10-M12 = Red LED, 5-Pin, M12 Connector
- Select Cable or Connector:**
 Blank = 6 foot (1.8m) Cable
 C = 6 inch (152mm) pigtail with 5-pin connector
 (accessory cable required)



Features

LOCATOR TABS
Help to center gap for proper detection

AUTOSET BUTTON

- Hold AUTOSET for 1 second when gap is in view.
- Tap UP to increase time from threshold (less sensitive).

LT/DK BUTTON

- Hold for 1 second to switch from Light on Output to Dark on Output.
- Tap DN to decrease time to threshold (more sensitive).

NOTE: Optimized for opaque label sensing.

CENTER of DETECTION
This point marks the exact center of light source and receiver through-beam.

RED LED OUTPUT INDICATOR
Illuminates when output is on
Flashes when sensor is shorted or overloaded

GREEN LED AUTOSET
Flashes rapidly during AUTOSET, for about 1/2 a second, and remains illuminated when complete
Flashes rapidly during AUTOSET, for about 1 second, and then flashes slowly with red LED Output Indicator four times when AUTOSET incomplete

Hardware & Accessories

Micro Cable Selection Guide

Yellow Cable Assemblies
4-wire, M8

- GEC-6**
6' (1.8m) Cable with Connector
- GEC-15**
15' (4.6m) Cable with Connector
- GEC-25**
25' (7.62m) Cable with Connector
- RGEC-6**
6' (1.8m) Right Angle Cable with Connector
- RGEC-15**
15' (4.6m) Right Angle Cable with Connector
- RGEC-25**
25' (7.62m) Right Angle Cable with Connector
- GEX-9**
9' (2.7m) Extension Cable

Grey Cable Assemblies
5-wire, M12

- GSEC-6**
6' (1.8m) Shielded Cable
- GSEC-15**
15' (4.6m) Shielded Cable
- GSEC-25**
25' (7.62m) Shielded Cable
- GRSEC-6**
6' (1.8m) Right Angle Shielded Cable
- GRSEC-15**
15' (4.6m) Right Angle Shielded Cable
- GRSEC-25**
25' (7.62m) Right Angle Shielded Cable
- GX-25**
25' (7.62m) Extension Cable

Specifications

SUPPLY VOLTAGE

- 10 to 30 VDC
- Polarity Protected

CURRENT REQUIREMENTS

- 45mA (exclusive of load)

OUTPUT TRANSISTORS

- (1) NPN and (1) PNP output transistors
- Sensor outputs can sink or source up to 150mA (current limit)
- All outputs are continuously short circuit protected

RESPONSE TIME

- 10 microseconds response time
- 5 microseconds repeatability

PUSH BUTTON CONTROL

- AUTOSET - One-push button setup
- LT/DK - Push and Hold to change output Light On/Dark On
- UP/DWN - Tweak-able Up/Down Adjustment

LED LIGHT SOURCE

- High intensity red LED
- Pulse modulated

HYSTERESIS

- Minimal hysteresis promotes the detection between the backing material and the label depending on the settings

LIGHT IMMUNITY

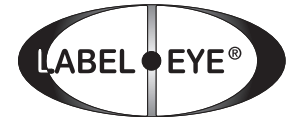
- Responds to sensor's pulsed modulated light source, resulting in high immunity to most ambient light

INDICATORS

- Green LED flashes when AUTOSET routine is activated and stays illuminated when AUTOSET is completed
- Red LED illuminates when sensor's output transistors are "ON".

AMBIENT TEMPERATURE

- -40°C to 70°C (-40°F to 158°F)

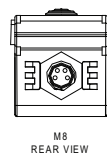
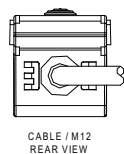
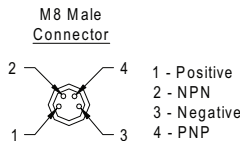
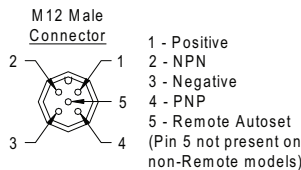
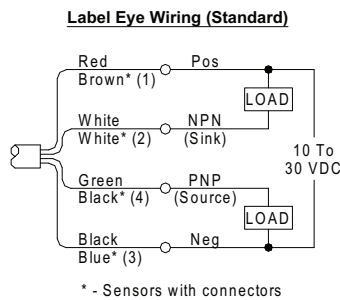
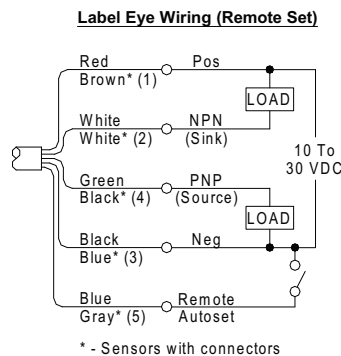


RUGGED CONSTRUCTION

- Chemical resistant high thermoplastic PPS housing
- Waterproof, ratings: NEMA 4 and IP66
- Conforms to heavy industry grade CE and UL requirements

RoHS Compliant
Product subject to change without notice

Connections and Dimensions



Ultra-High Speed LABEL•EYE

